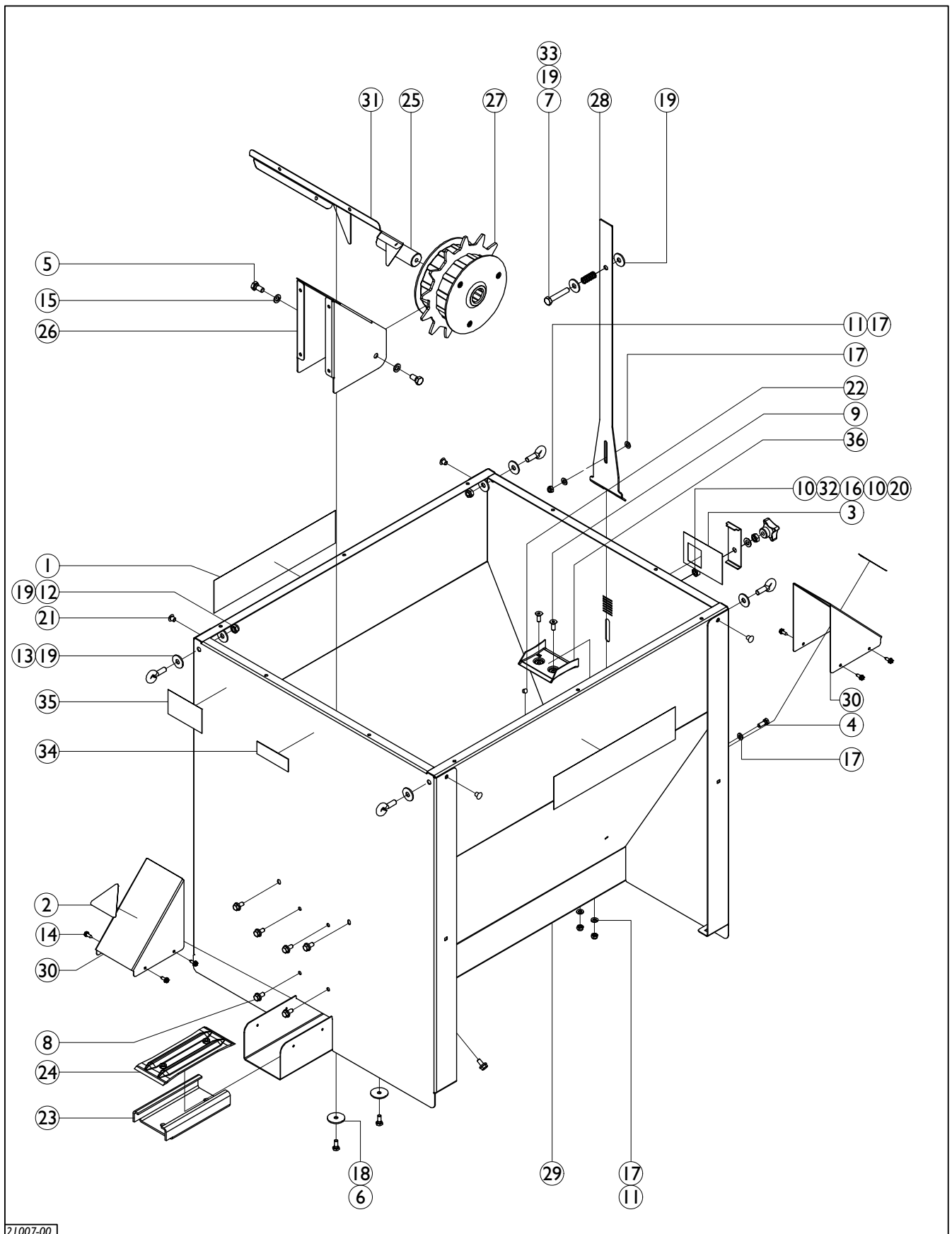


4.6.1 HOPPER CH1-180

4



Chainovation

Table 19

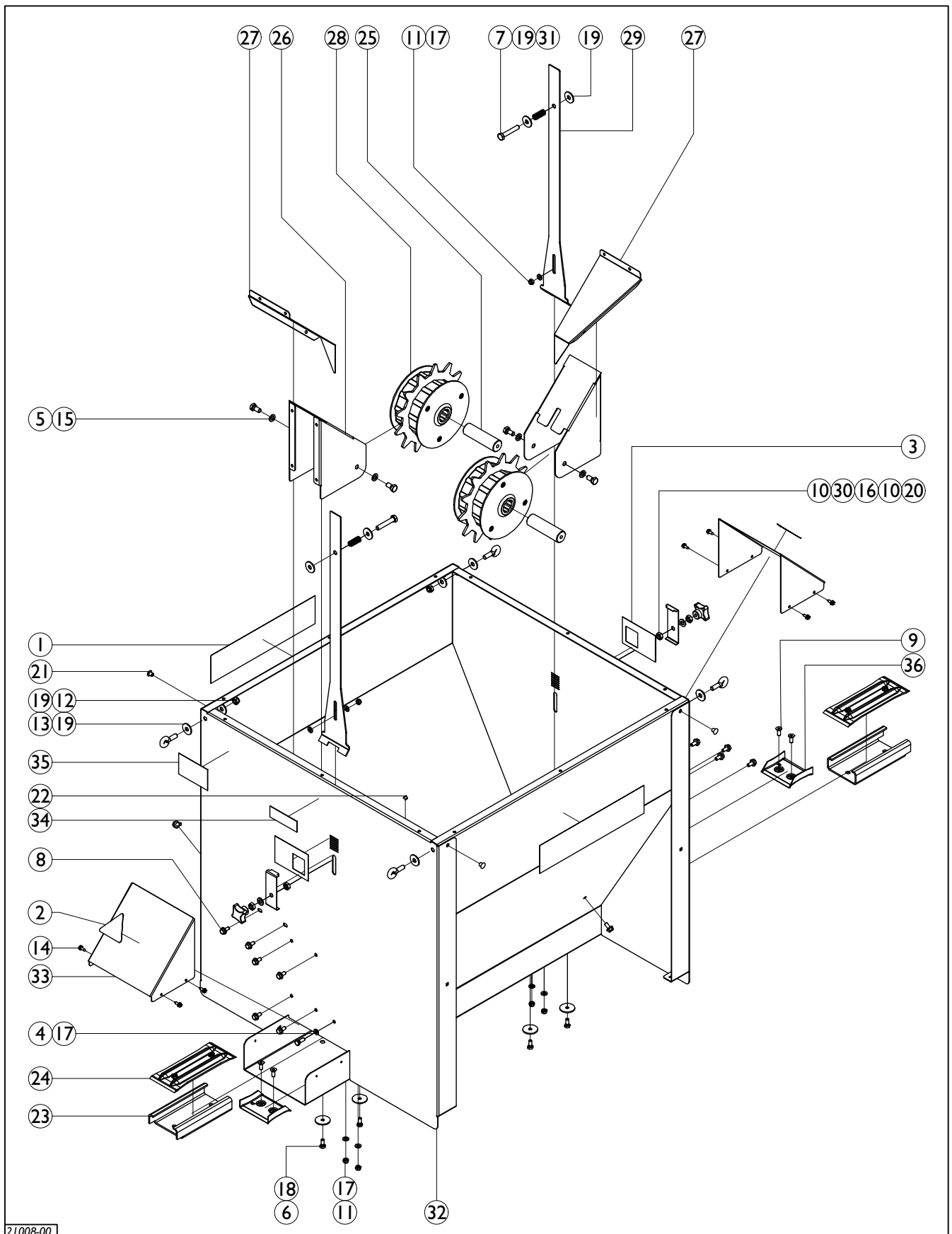
| No | Item no. | n | Description |
|----|-----------|----|---|
| 1 | 110700009 | 2 | Sticker Chainovation 290x68mm |
| 2 | 110700012 | 2 | Sticker warning moving components |
| 3 | 110700064 | 1 | Sticker level Chainovation, left |
| 4 | 121093001 | 1 | Bolt M 6x16mm galvanized 8.8 |
| 5 | 121093005 | 2 | Bolt M 8x16mm galvanized 8.8 |
| 6 | 121093097 | 2 | Bolt M 6x14mm galvanized 8.8 |
| 7 | 121093121 | 1 | Bolt M 8x45mm, threadlength 22mm 8.8 |
| 8 | 121750000 | 8 | Taptite M 6x10mm hexagon with collar galvanized |
| 9 | 122900000 | 2 | Screw countersunk head inside hexagon M 6x16mm galvanized |
| 10 | 123093001 | 2 | Nut M 8 galvanized |
| 11 | 123098000 | 3 | Nut self locking M 6 galvanized |
| 12 | 123098001 | 4 | Nut self locking M 8 galvanized |
| 13 | 124900001 | 4 | Screw eye M 8x20mm galvanized |
| 14 | 126900022 | 8 | Screw hexagon with collar self-drilling \varnothing 4.2x13mm galvanized |
| 15 | 127012001 | 2 | Spring washer M 8 galvanized |
| 16 | 127012006 | 1 | Washer M 8 galvanized |
| 17 | 127012007 | 5 | Washer M 6 galvanized |
| 18 | 127802015 | 2 | Body ring M 6x30x2mm galvanized |
| 19 | 127900007 | 10 | Body ring M 8x24x2mm galvanized |
| 20 | 132633001 | 1 | Rotary knob cross M8x16mm 40/18mm brass thread |
| 21 | 132900011 | 4 | Plug PE \varnothing 7.3mm |
| 22 | 132900058 | 2 | Plug PE \varnothing 6.6mm |
| 23 | 260340013 | 1 | Guiding block chainfeeding hopper |
| 24 | 260340209 | 1 | Centre plate for chainfeeding drive units and hoppers |
| 25 | 260340234 | 1 | Shaft for feed return wheel chainfeeding hopper |
| 26 | 260340235 | 1 | Mounting plate feed return wheel hopper chainfeeding galvanized |
| 27 | 260340245 | 1 | Feed return wheel PA6 complete |
| 28 | 260340355 | 1 | Slide hopper Chainovation 1-4 galvanized |
| 29 | 260540000 | 1 | Weld composition hopper CH1 |

Table 19

| No | Item no. | n | Description |
|----|-----------|---|--|
| 30 | 260540001 | 2 | Cover for feedtrough Chainovation CH1 |
| 31 | 260540002 | 1 | Cover plate for feedreturnwheel in hopper CH1 |
| 32 | 260540038 | 1 | Level indicator hopper galvanized |
| 33 | 260540041 | 1 | Spring stainless steel d=1,25mm Dm=10mm L=29,5mm |
| 34 | 260950001 | 1 | Name plate VDL 76x26.5mm galvanized |
| 35 | 260950009 | 1 | Sticker type with CE |
| 36 | 460340115 | 1 | Guiding plate for chainfeeding system |

4.6.2 HOPPER CH2-220

4



Chainovation

Table 20

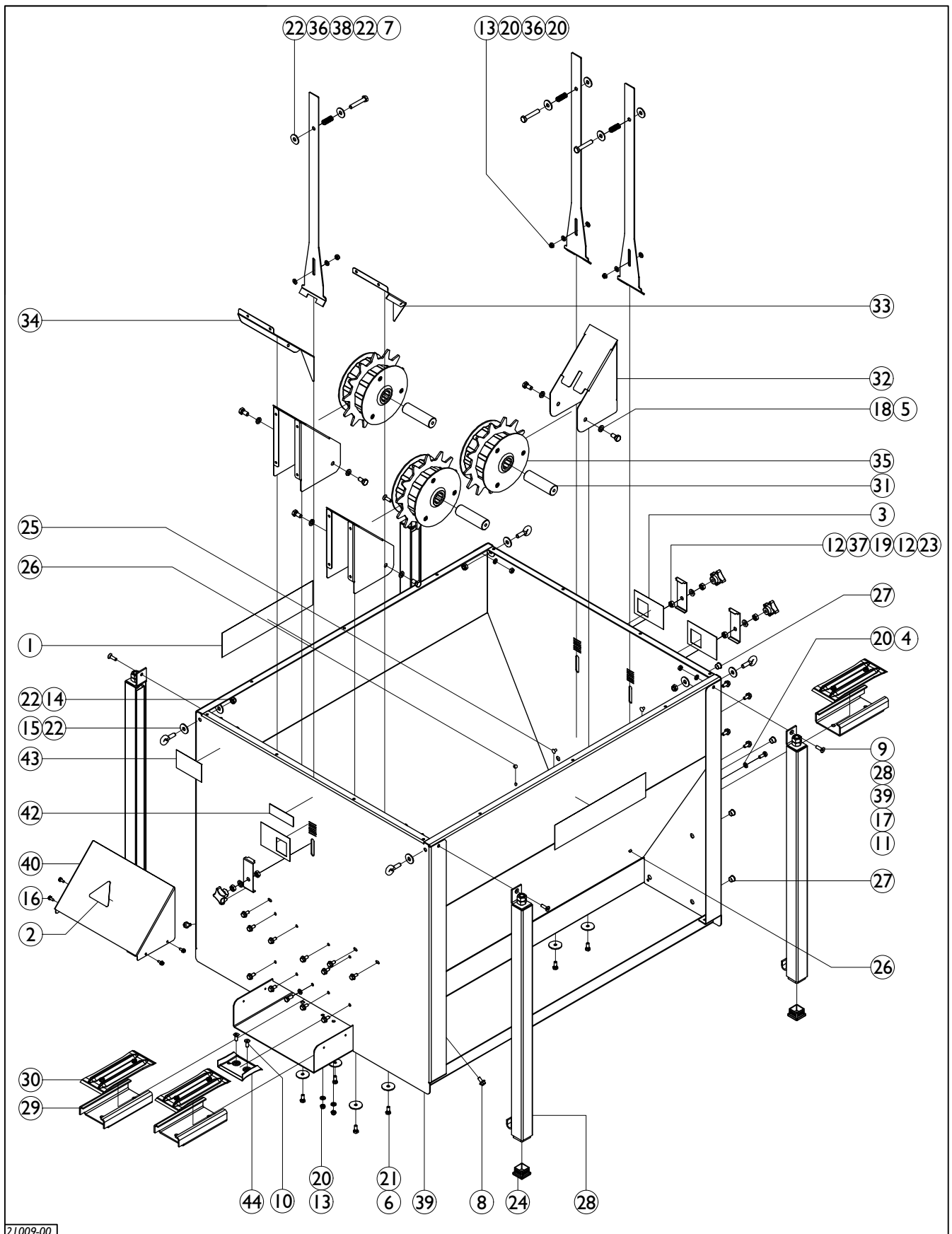
| No | Item no. | n | Description |
|----|-----------|----|---|
| 1 | 110700009 | 2 | Sticker Chainovation 290x68mm |
| 2 | 110700012 | 2 | Sticker warning moving components |
| 3 | 110700064 | 2 | Sticker level Chainovation, left |
| 4 | 121093001 | 2 | Bolt M 6x16mm galvanized 8.8 |
| 5 | 121093005 | 4 | Bolt M 8x16mm galvanized 8.8 |
| 6 | 121093097 | 4 | Bolt M 6x14mm galvanized 8.8 |
| 7 | 121093121 | 2 | Bolt M 8x45mm, threadlength 22mm 8.8 |
| 8 | 121750000 | 14 | Tapite M 6x10mm hexagon with collar galvanized |
| 9 | 122900000 | 4 | Screw countersunk head inside hexagon M 6x16mm galvanized |
| 10 | 123093001 | 4 | Nut M 8 galvanized |
| 11 | 123098000 | 6 | Nut self locking M 6 galvanized |
| 12 | 123098001 | 4 | Nut self locking M 8 galvanized |
| 13 | 124900001 | 4 | Screw eye M 8x20mm galvanized |
| 14 | 126900022 | 8 | Screw hexagon with collar self-drilling \varnothing 4.2x13mm galvanized |
| 15 | 127012001 | 4 | Spring washer M 8 galvanized |
| 16 | 127012006 | 2 | Washer M 8 galvanized |
| 17 | 127012007 | 10 | Washer M 6 galvanized |
| 18 | 127802015 | 4 | Body ring M 6x30x2mm galvanized |
| 19 | 127900007 | 12 | Body ring M 8x24x2mm galvanized |
| 20 | 132633001 | 2 | Rotary knob cross M8x16mm 40/18mm brass thread |
| 21 | 132900011 | 4 | Plug PE \varnothing 7.3mm |
| 22 | 132900058 | 2 | Plug PE \varnothing 6.6mm |
| 23 | 260340013 | 2 | Guiding block chainfeeding hopper |
| 24 | 260340209 | 2 | Centre plate for chainfeeding drive units and hoppers |
| 25 | 260340234 | 2 | Shaft for feed return wheel chainfeeding hopper |
| 26 | 260340235 | 2 | Mounting plate feed return wheel hopper chainfeeding galvanized |
| 27 | 260340238 | 2 | Cover plate for Chainovation hopper, right |
| 28 | 260340245 | 2 | Feed return wheel PA6 complete |
| 29 | 260340355 | 2 | Slide hopper Chainovation 1-4 galvanized |

Table 20

| No | Item no. | n | Description |
|----|-----------|---|--|
| 30 | 260540038 | 2 | Level indicator hopper galvanized |
| 31 | 260540041 | 2 | Spring stainless steel d=1,25mm Dm=10mm L=29,5mm |
| 32 | 260640000 | 1 | Weld composition hopper CH2 |
| 33 | 260640001 | 2 | Cover for feedtrough Chainovation CH2 |
| 34 | 260950001 | 1 | Name plate VDL 76x26.5mm galvanized |
| 35 | 260950009 | 1 | Sticker type with CE |
| 36 | 460340115 | 2 | Guiding plate for chainfeeding system |

4.6.3 FEEDING MACHINE CH3-350

4



Chainovation

Table 21

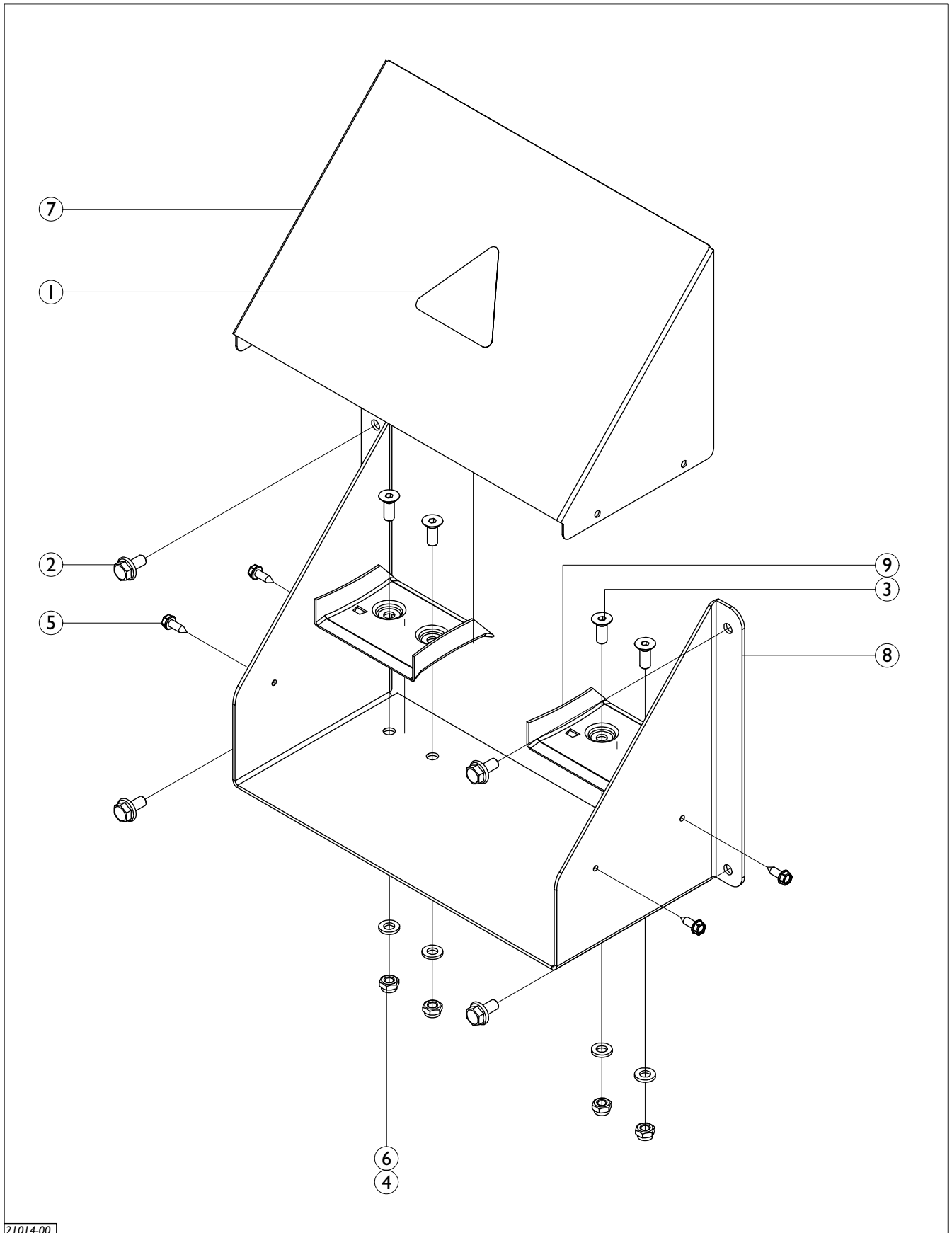
| No | Item no. | n | Description |
|----|-----------|----|---|
| 1 | 110700009 | 2 | Sticker Chainovation 290x68mm |
| 2 | 110700012 | 1 | Sticker warning moving components |
| 3 | 110700064 | 3 | Sticker level Chainovation, left |
| 4 | 121093001 | 3 | Bolt M 6x16mm galvanized 8.8 |
| 5 | 121093005 | 6 | Bolt M 8x16mm galvanized 8.8 |
| 6 | 121093097 | 6 | Bolt M 6x14mm galvanized 8.8 |
| 7 | 121093121 | 3 | Bolt M 8x45mm, threadlength 22mm 8.8 |
| 8 | 121750000 | 18 | Taptite M 6x10mm hexagon with collar galvanized |
| 9 | 122799000 | 4 | Screw countersunk head inside hexagon M 6x20mm galvanized |
| 10 | 122900000 | 2 | Screw countersunk head inside hexagon M 6x16mm galvanized |
| 11 | 123093000 | 4 | Nut M 6 galvanized |
| 12 | 123093001 | 6 | Nut M 8 galvanized |
| 13 | 123098000 | 5 | Nut self locking M 6 galvanized |
| 14 | 123098001 | 4 | Nut self locking M 8 galvanized |
| 15 | 124900001 | 4 | Screw eye M 8x20mm galvanized |
| 16 | 126900022 | 4 | Screw hexagon with collar self-drilling \varnothing 4.2x13mm galvanized |
| 17 | 127012000 | 4 | Spring washer M 6 galvanized |
| 18 | 127012001 | 6 | Spring washer M 8 galvanized |
| 19 | 127012006 | 3 | Washer M 8 galvanized |
| 20 | 127012007 | 11 | Washer M 6 galvanized |
| 21 | 127802015 | 6 | Body ring M 6x30x2mm galvanized |
| 22 | 127900007 | 14 | Body ring M 8x24x2mm galvanized |
| 23 | 132633001 | 3 | Rotary knob cross M8x16mm 40/18mm brass thread |
| 24 | 132900000 | 4 | Finned plug PE 30x30x13mm |
| 25 | 132900012 | 2 | Plug PE \varnothing 5,4mm |
| 26 | 132900058 | 2 | Plug PE \varnothing 6.6mm |
| 27 | 132900059 | 6 | Plug PE \varnothing 11.9mm |
| 28 | 260340009 | 4 | Leg for feedhopper Chainovation 1-4 galvanized |
| 29 | 260340013 | 3 | Guiding block chainfeeding hopper |
| 30 | 260340209 | 3 | Centre plate for chainfeeding drive units and hoppers |

Table 21

| No | Item no. | n | Description |
|----|-----------|---|---|
| 31 | 260340234 | 3 | Shaft for feed return wheel chain-feeding hopper |
| 32 | 260340235 | 3 | Mounting plate feed return wheel hopper chainfeeding galvanized |
| 33 | 260340237 | 1 | Cover plate for Chainovation hopper, left |
| 34 | 260340238 | 1 | Cover plate for Chainovation hopper, right |
| 35 | 260340245 | 3 | Feed return wheel PA6 complete |
| 36 | 260340355 | 3 | Slide hopper Chainovation 1-4 galvanized |
| 37 | 260540038 | 3 | Level indicator hopper galvanized |
| 38 | 260540041 | 3 | Spring stainless steel d=1,25mm Dm=10mm L=29,5mm |
| 39 | 260740000 | 1 | Weld composition hopper CH3 |
| 40 | 260740001 | 1 | Cover for feedtrough Chainovation CH3 |
| 41 | 260740002 | 1 | Connection piece trough Chainovation CH3 |
| 42 | 260950001 | 1 | Name plate VDL 76x26.5mm galvanized |
| 43 | 260950009 | 1 | Sticker type with CE |
| 44 | 460340115 | 1 | Guiding plate for chainfeeding system |

4.6.4 CHAINOVATION DRIVE UNIT CH3-350 HD

4



21014-00

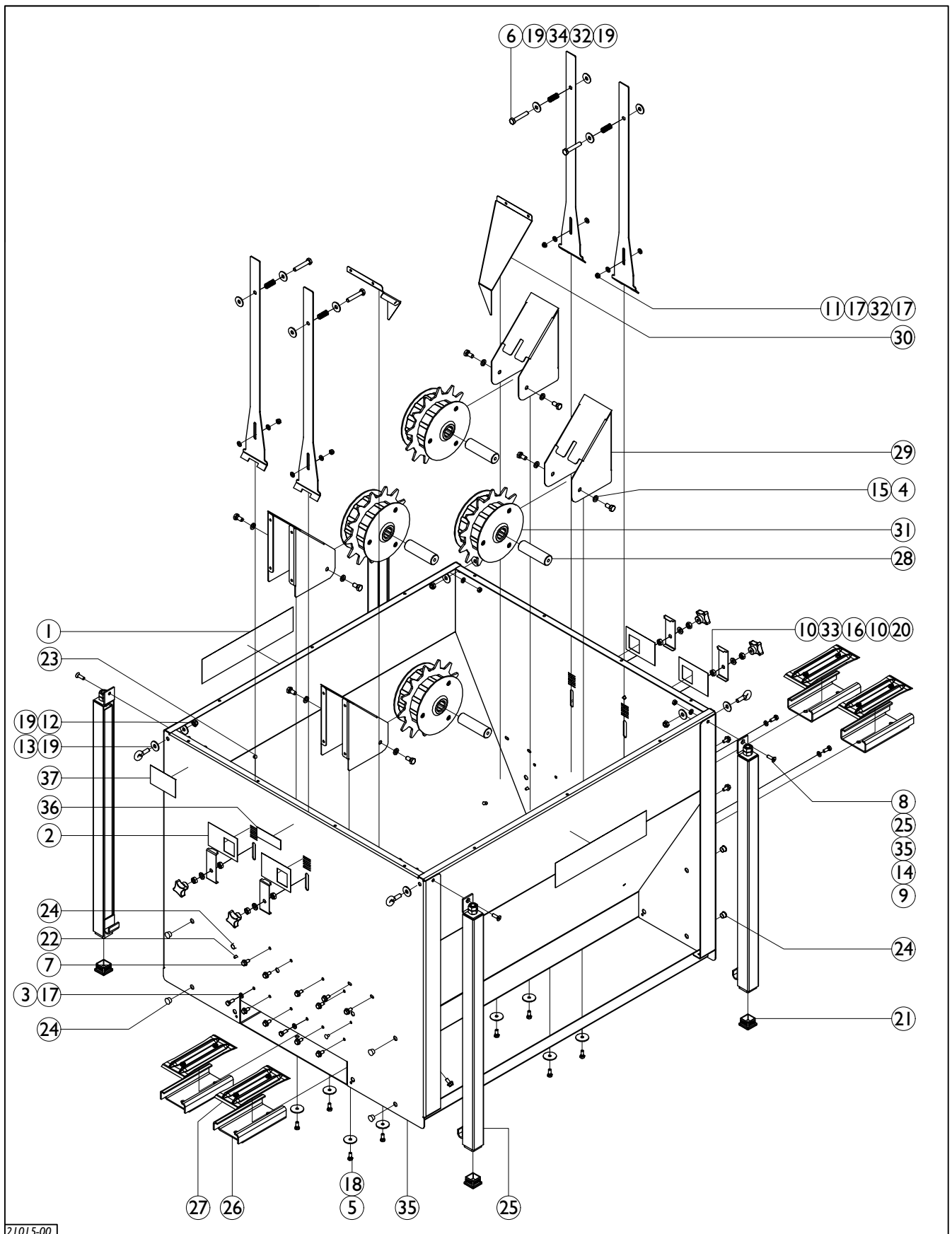
Chainovation

Table 22

| No | Item no. | n | Description |
|----|-----------|---|---|
| 1 | 110700012 | 1 | Sticker warning moving components |
| 2 | 121750000 | 4 | Taptite M 6x10mm hexagon with collar galvanized |
| 3 | 122900000 | 4 | Screw countersunk head inside hexagon M 6x16mm galvanized |
| 4 | 123098000 | 4 | Nut self locking M 6 galvanized |
| 5 | 126900022 | 4 | Screw hexagon with collar self-drilling \varnothing 4.2x13mm galvanized |
| 6 | 127012007 | 4 | Washer M 6 galvanized |
| 7 | 260740001 | 1 | Cover for feedtrough Chainovation CH3 |
| 8 | 260740002 | 1 | Connection piece trough Chainovation CH3 |
| 9 | 460340115 | 2 | Guiding plate for chainfeeding system |

4.6.5 FEEDING MACHINE CH4-400

4



Chainovation

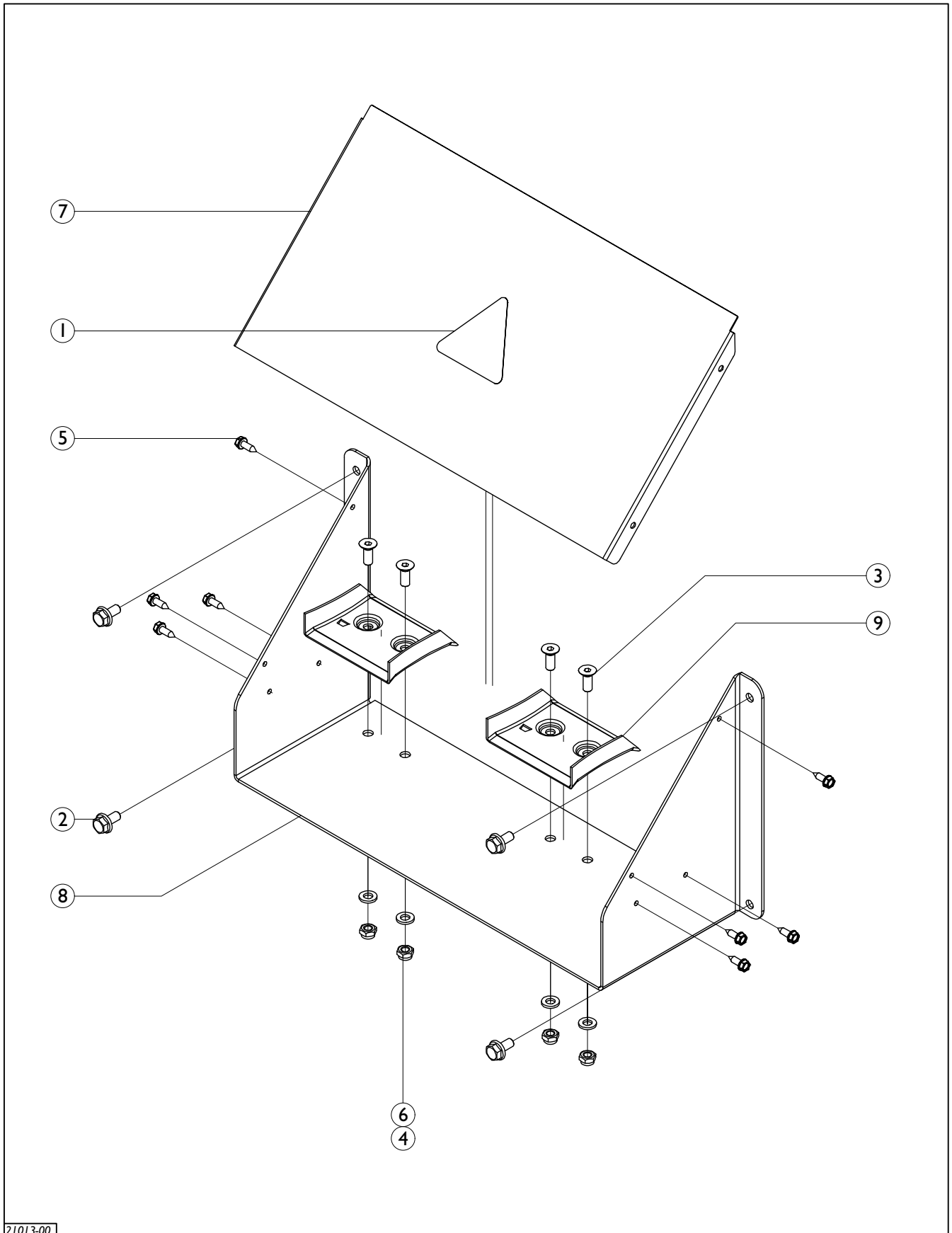
Table 23

| No | Item no. | n | Description |
|----|-----------|----|---|
| 1 | 110700009 | 2 | Sticker Chainovation 290x68mm |
| 2 | 110700064 | 4 | Sticker level Chainovation, left |
| 3 | 121093001 | 4 | Bolt M 6x16mm galvanized 8.8 |
| 4 | 121093005 | 8 | Bolt M 8x16mm galvanized 8.8 |
| 5 | 121093097 | 8 | Bolt M 6x14mm galvanized 8.8 |
| 6 | 121093121 | 4 | Bolt M 8x45mm, threadlength 22mm 8.8 |
| 7 | 121750000 | 22 | Taptite M 6x10mm hexagon with collar galvanized |
| 8 | 122799000 | 4 | Screw countersunk head inside hexagon M 6x20mm galvanized |
| 9 | 123093000 | 4 | Nut M 6 galvanized |
| 10 | 123093001 | 8 | Nut M 8 galvanized |
| 11 | 123098000 | 4 | Nut self locking M 6 galvanized |
| 12 | 123098001 | 4 | Nut self locking M 8 galvanized |
| 13 | 124900001 | 4 | Screw eye M 8x20mm galvanized |
| 14 | 127012000 | 4 | Spring washer M 6 galvanized |
| 15 | 127012001 | 8 | Spring washer M 8 galvanized |
| 16 | 127012006 | 4 | Washer M 8 galvanized |
| 17 | 127012007 | 12 | Washer M 6 galvanized |
| 18 | 127802015 | 8 | Body ring M 6x30x2mm galvanized |
| 19 | 127900007 | 16 | Body ring M 8x24x2mm galvanized |
| 20 | 132633001 | 4 | Rotary knob cross M8x16mm 40/18mm brass thread |
| 21 | 132900000 | 4 | Finned plug PE 30x30x13mm |
| 22 | 132900012 | 4 | Plug PE ø5,4mm |
| 23 | 132900058 | 2 | Plug PE ø6.6mm |
| 24 | 132900059 | 10 | Plug PE ø11.9mm |
| 25 | 260340009 | 4 | Leg for feedhopper Chainovation 1-4 galvanized |
| 26 | 260340013 | 4 | Guiding block chainfeeding hopper |
| 27 | 260340209 | 4 | Centre plate for chainfeeding drive units and hoppers |
| 28 | 260340234 | 4 | Shaft for feed return wheel chainfeeding hopper |
| 29 | 260340235 | 4 | Mounting plate feed return wheel hopper chainfeeding galvanized |
| 30 | 260340237 | 2 | Cover plate for Chainovation hopper, left |
| 31 | 260340245 | 4 | Feed return wheel PA6 complete |

Table 23

| No | Item no. | n | Description |
|----|-----------|---|--|
| 32 | 260340355 | 4 | Slide hopper Chainovation 1-4 galvanized |
| 33 | 260540038 | 4 | Level indicator hopper galvanized |
| 34 | 260540041 | 4 | Spring stainless steel d=1,25mm Dm=10mm L=29,5mm |
| 35 | 260840000 | 1 | Weld composition hopper CH4 |
| 36 | 260950001 | 1 | Name plate VDL 76x26.5mm galvanized |
| 37 | 260950009 | 1 | Sticker type with CE |

4.6.6 CH4-400 HD CHAINOVATION DRIVE UNIT (LEFT IS SHOWN)



21013-00

Chainovation

Table 24

| No | Item no. | n | Description |
|----|-----------|---|---|
| 1 | 110700012 | 1 | Sticker warning moving components |
| 2 | 121750000 | 4 | Taptite M 6x10mm hexagon with collar galvanized |
| 3 | 122900000 | 4 | Screw countersunk head inside hexagon M 6x16mm galvanized |
| 4 | 123098000 | 4 | Nut self locking M 6 galvanized |
| 5 | 126900022 | 8 | Screw hexagon with collar self-drilling \varnothing 4.2x13mm galvanized |
| 6 | 127012007 | 4 | Washer M 6 galvanized |
| 7 | 260840001 | 1 | Cover for feedtrough Chainovation CH4 |
| 8 | 260840002 | 1 | Connection piece trough Chainovation CH4 |
| 9 | 460340115 | 2 | Guiding plate for chainfeeding system |

4.6.7 HOPPER VC-70M

4

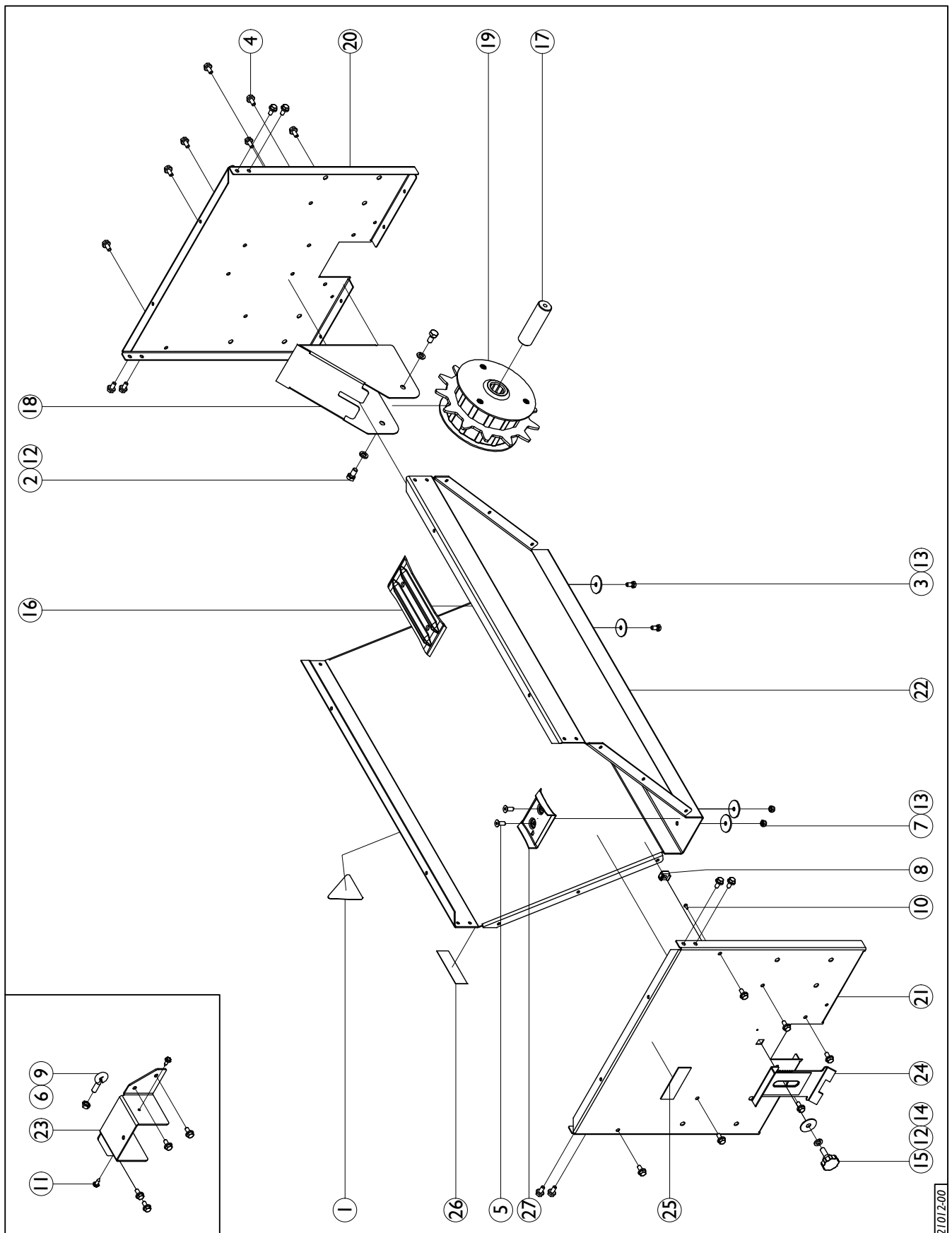


Table 25

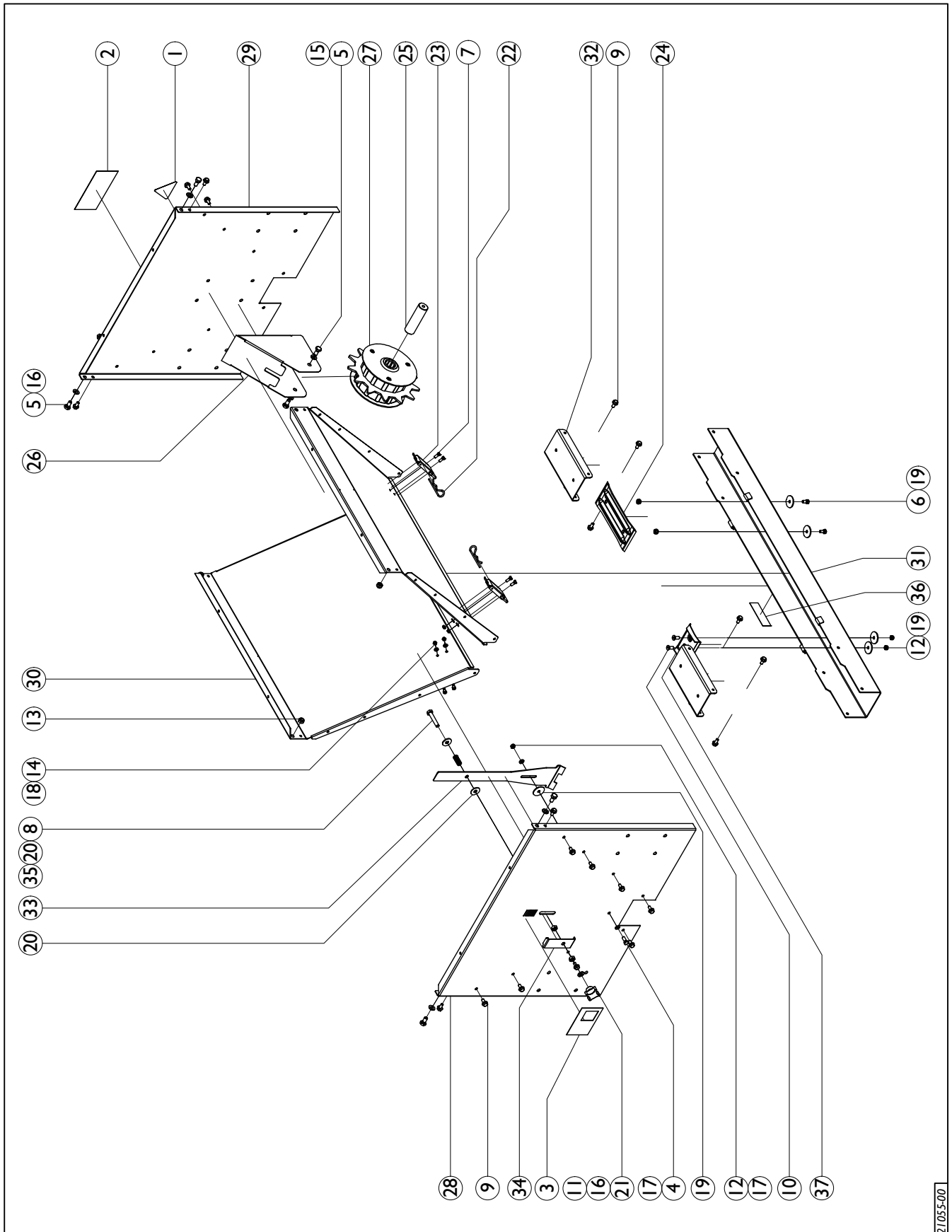
| No | Item no. | n | Description |
|----|-----------|---|---------------------------------------|
| 27 | 460340115 | 1 | Guiding plate for chainfeeding system |

Table 25

| No | Item no. | n | Description |
|----|-----------|----|---|
| 1 | 110700012 | 1 | Sticker warning moving components |
| 2 | 121093005 | 2 | Bolt M 8x16mm galvanized 8.8 |
| 3 | 121093011 | 2 | Bolt M 6x12mm galvanized 8.8 |
| 4 | 121750000 | 28 | Taptite M 6x10mm hexagon with collar galvanized |
| 5 | 122900000 | 2 | Screw countersunk head inside hexagon M 6x16mm galvanized |
| 6 | 123093001 | 4 | Nut M 8 galvanized |
| 7 | 123098000 | 2 | Nut self locking M 6 galvanized |
| 8 | 123900027 | 1 | Cage nut M 6 sheet thickness 0.7-1.7mm galvanized |
| 9 | 124900001 | 4 | Screw eye M 8x20mm galvanized |
| 10 | 126900001 | 1 | Drive screw nr.4 \varnothing 2.9x6.5mm |
| 11 | 126900020 | 2 | Screw hexagon with collar self-drilling \varnothing 4.8x13mm galvanized |
| 12 | 127012001 | 3 | Spring washer M 8 galvanized |
| 13 | 127802015 | 4 | Body ring M 6x30x2mm galvanized |
| 14 | 127900001 | 1 | Body ring M 8x30x1.5mm galvanized |
| 15 | 136900083 | 1 | Rotary knob M8x20mm galvanized D=30mm |
| 16 | 260340209 | 1 | Centre plate for chainfeeding drive units and hoppers |
| 17 | 260340234 | 1 | Shaft for feed return wheel chainfeeding hopper |
| 18 | 260340235 | 1 | Mounting plate feed return wheel hopper chainfeeding galvanized |
| 19 | 260340245 | 1 | Feed return wheel PA6 complete |
| 20 | 260340260 | 1 | Back plate VC-70M hopper |
| 21 | 260340261 | 1 | Front plate VC-70M hopper |
| 22 | 260340262 | 1 | Trough VC-70M hopper |
| 23 | 260340263 | 1 | Connection piece trough VC-70M hopper |
| 24 | 260340312 | 1 | Slide with 7-positions adjustment VC-70M hopper |
| 25 | 260950001 | 1 | Name plate VDL 76x26.5mm galvanized |
| 26 | 310940028 | 1 | Sticker direction |

4.6.8 VC-90D & CH-90D

4



Z1055-00

Table 26

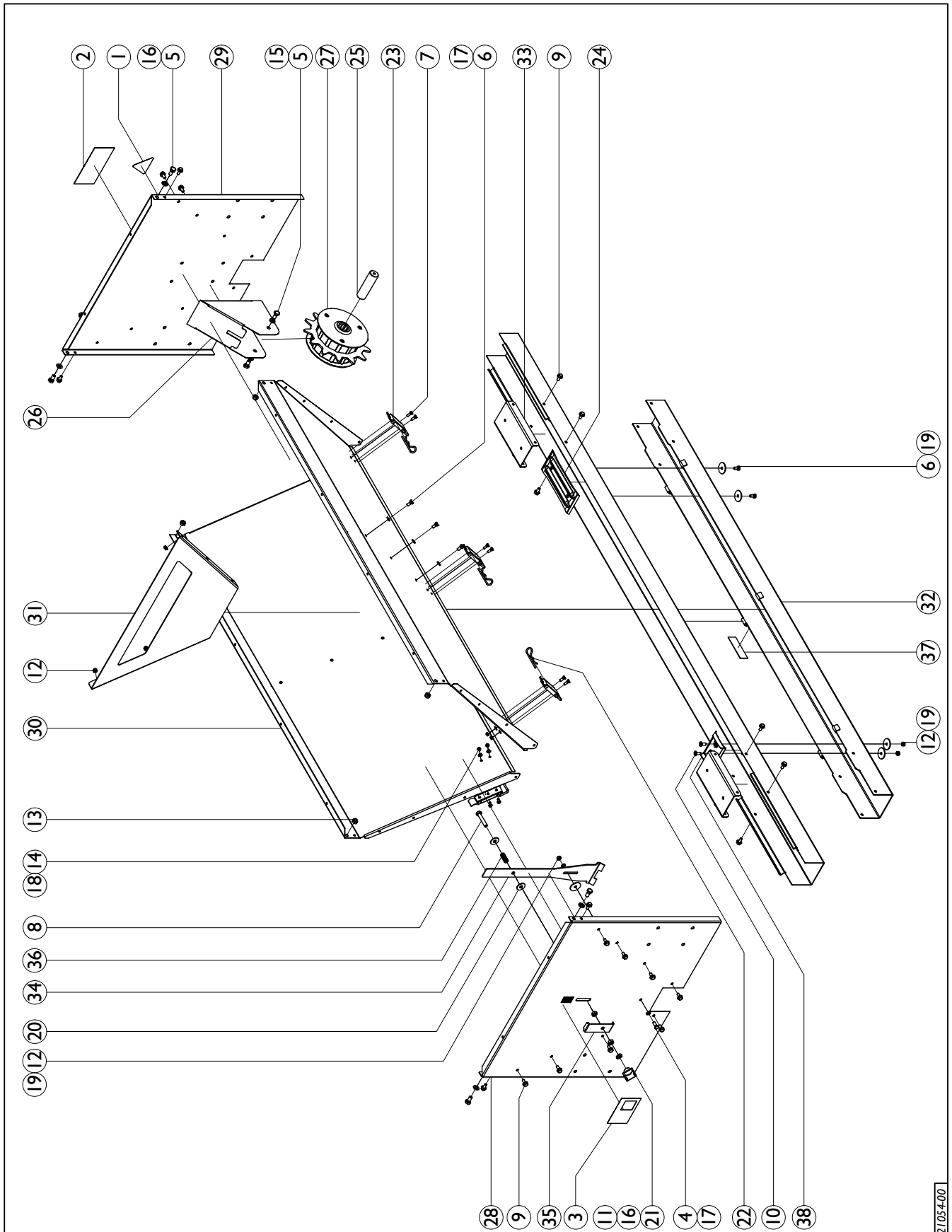
Table 26

| No | Item no. | n | Description |
|----|-----------|----|---|
| 1 | 110700012 | 1 | Sticker warning moving components |
| 2 | 110700063 | 1 | Sticker VDL flag 135x70mm |
| 3 | 110700064 | 1 | Sticker level Chainovation, left |
| 4 | 121093001 | 1 | Bolt M 6x16mm galvanized 8.8 |
| 5 | 121093005 | 6 | Bolt M 8x16mm galvanized 8.8 |
| 6 | 121093011 | 2 | Bolt M 6x12mm galvanized 8.8 |
| 7 | 121093018 | 8 | Bolt M 5x12mm galvanized 8.8 |
| 8 | 121093121 | 1 | Bolt M 8x45mm, threadlength 22mm 8.8 |
| 9 | 121750000 | 32 | Taptite M 6x10mm hexagon with collar galvanized |
| 10 | 122900000 | 2 | Screw countersunk head inside hexagon M 6x16mm galvanized |
| 11 | 123093001 | 2 | Nut M 8 galvanized |
| 12 | 123098000 | 3 | Nut self locking M 6 galvanized |
| 13 | 123098001 | 4 | Nut self locking M 8 galvanized |
| 14 | 123098007 | 8 | Nut self locking M 5 galvanized |
| 15 | 127012001 | 2 | Spring washer M 8 galvanized |
| 16 | 127012006 | 5 | Washer M 8 galvanized |
| 17 | 127012007 | 2 | Washer M 6 galvanized |
| 18 | 127012020 | 8 | Washer M 5 galvanized |
| 19 | 127802015 | 5 | Body ring M 6x30x2mm galvanized |
| 20 | 127900007 | 2 | Body ring M 8x24x2mm galvanized |
| 21 | 132633001 | 1 | Rotary knob cross M8x16mm 40/18mm brass thread |
| 22 | 136900066 | 4 | Safety spring 60x3mm galvanized |
| 23 | 136900078 | 4 | Locking hopper galvanized |
| 24 | 260340209 | 1 | Centre plate for chainfeeding drive units and hoppers |
| 25 | 260340234 | 1 | Shaft for feed return wheel chainfeeding hopper |
| 26 | 260340235 | 1 | Mounting plate feed return wheel hopper chainfeeding galvanized |
| 27 | 260340245 | 1 | Feed return wheel PA6 complete |
| 28 | 260540017 | 1 | Front plate CH-90D/180D hoppers |
| | 260340343 | | Front plate VC-90D/180D hoppers |
| 29 | 260540019 | 1 | Back plate CH-90D/180D hoppers |
| | 260340345 | | Back plate VC-90D/180D hoppers |
| 30 | 260540022 | 2 | Side plate CH-90D hopper |

| No | Item no. | n | Description |
|----|-----------|---|--|
| | 260340348 | | Side plate VC-90D hopper |
| 31 | 260540025 | 1 | Trough bottom part for hopper 90L |
| 32 | 260540028 | 2 | Reinforcement plate for hopper |
| 33 | 260540029 | 1 | Slide hopper 90-180L galvanized |
| 34 | 260540038 | 1 | Level indicator hopper galvanized |
| 35 | 260540041 | 1 | Spring stainless steel d=1,25mm Dm=10mm L=29,5mm |
| 36 | 310940028 | 1 | Sticker direction |
| 37 | 460340115 | 1 | Guiding plate for chainfeeding system |

4.6.9 VC-180D & CH-180D

4



Z1054-00

Table 27

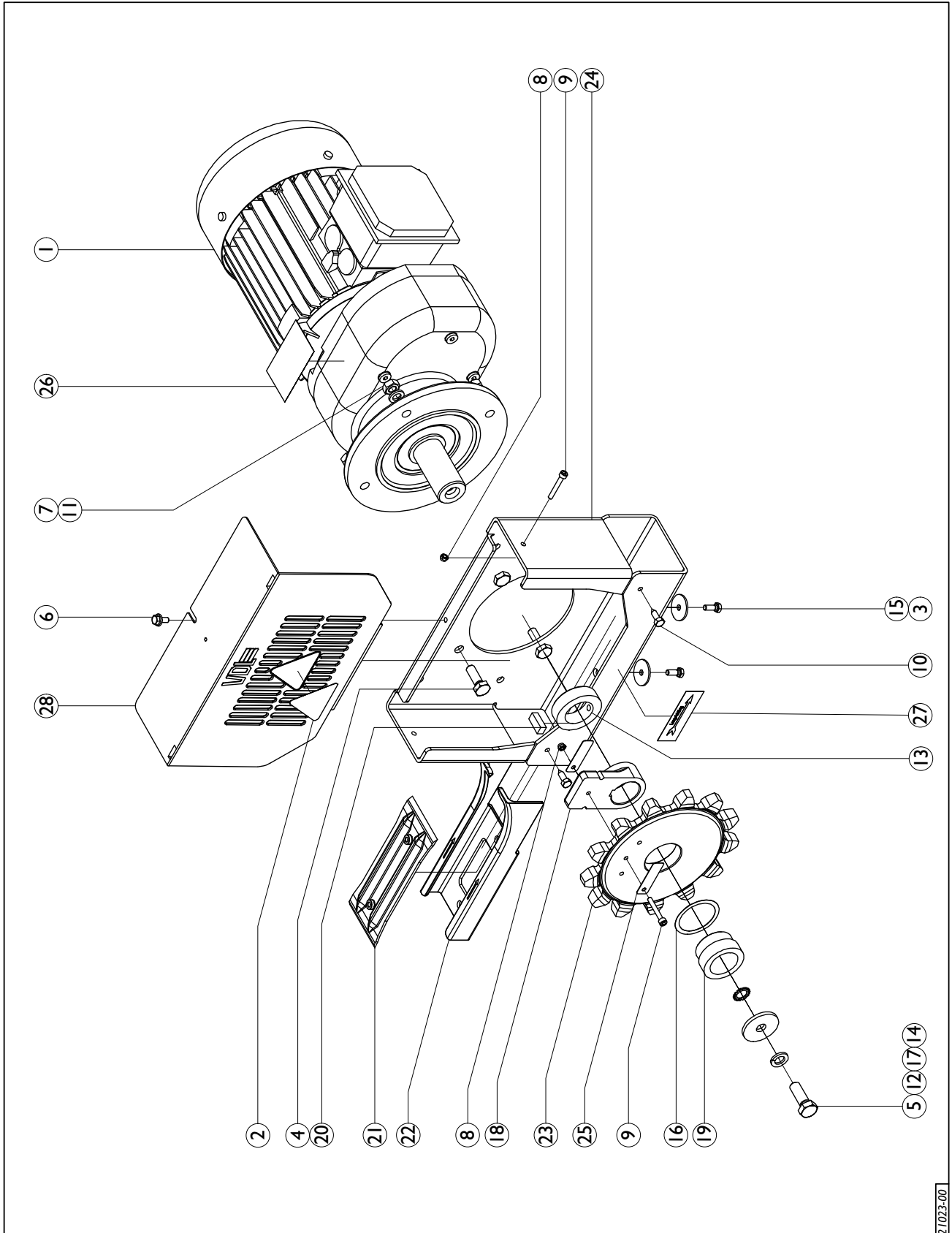
Table 27

| No | Item no. | n | Description |
|----|-----------|----|---|
| 1 | 110700012 | 1 | Sticker warning moving components |
| 2 | 110700063 | 1 | Sticker VDL flag 135x70mm |
| 3 | 110700064 | 1 | Sticker level Chainovation, left |
| 4 | 121093001 | 1 | Bolt M 6x16mm galvanized 8.8 |
| 5 | 121093005 | 6 | Bolt M 8x16mm galvanized 8.8 |
| 6 | 121093011 | 8 | Bolt M 6x12mm galvanized 8.8 |
| 7 | 121093018 | 12 | Bolt M 5x12mm galvanized 8.8 |
| 8 | 121093121 | 1 | Bolt M 8x45mm, threadlength 22mm 8.8 |
| 9 | 121750000 | 32 | Taptite M 6x10mm hexagon with collar galvanized |
| 10 | 122900000 | 2 | Screw countersunk head inside hexagon M 6x16mm galvanized |
| 11 | 123093001 | 2 | Nut M 8 galvanized |
| 12 | 123098000 | 9 | Nut self locking M 6 galvanized |
| 13 | 123098001 | 4 | Nut self locking M 8 galvanized |
| 14 | 123098007 | 12 | Nut self locking M 5 galvanized |
| 15 | 127012001 | 2 | Spring washer M 8 galvanized |
| 16 | 127012006 | 5 | Washer M 8 galvanized |
| 17 | 127012007 | 8 | Washer M 6 galvanized |
| 18 | 127012020 | 12 | Washer M 5 galvanized |
| 19 | 127802015 | 5 | Body ring M 6x30x2mm galvanized |
| 20 | 127900007 | 2 | Body ring M 8x24x2mm galvanized |
| 21 | 132633001 | 1 | Rotary knob cross M8x16mm 40/18mm brass thread |
| 22 | 136900066 | 6 | Safety spring 60x3mm galvanized |
| 23 | 136900078 | 6 | Locking hopper galvanized |
| 24 | 260340209 | 1 | Centre plate for chainfeeding drive units and hoppers |
| 25 | 260340234 | 1 | Shaft for feed return wheel chainfeeding hopper |
| 26 | 260340235 | 1 | Mounting plate feed return wheel hopper chainfeeding galvanized |
| 27 | 260340245 | 1 | Feed return wheel PA6 complete |
| 28 | 260540017 | 1 | Front plate CH-90D/180D hoppers |
| | 260340343 | | Front plate VC-90D/180D hoppers |
| 29 | 260540019 | 1 | Back plate CH-90D/180D hoppers |
| | 260340345 | | Back plate VC-90D/180D hoppers |
| 30 | 260540021 | 2 | Side plate CH-180D hopper |

| No | Item no. | n | Description |
|----|-----------|---|--|
| | 260340347 | | Side plate VC-180D hopper |
| 31 | 260540023 | 1 | Middle plate for hopper 180L |
| 32 | 260540024 | 1 | Trough bottom part for hopper 180L |
| 33 | 260540028 | 2 | Reinforcement plate for hopper |
| 34 | 260540029 | 1 | Slide hopper 90-180L galvanized |
| 35 | 260540038 | 1 | Level indicator hopper galvanized |
| 36 | 260540041 | 1 | Spring stainless steel d=1,25mm Dm=10mm L=29,5mm |
| 37 | 310940028 | 1 | Sticker direction |
| 38 | 460340115 | 1 | Guiding plate for chainfeeding system |

4.6.10 SEPARATE DRIVE

Standard model (shaft Ø 35mm)



4

Table 28

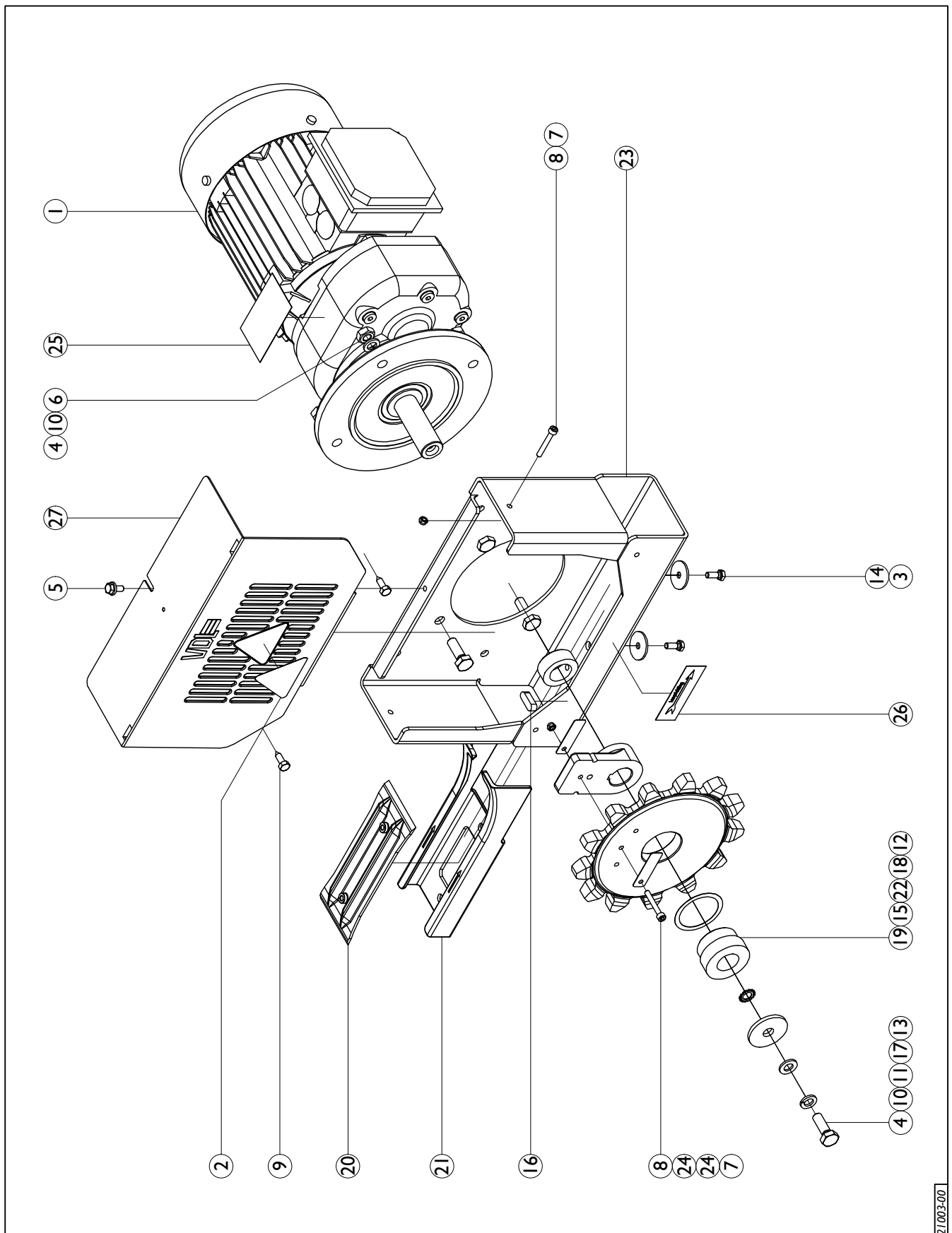
Table 28

| No | Item no. | n | Description |
|----|-----------|---|--|
| 1 | 151228003 | 1 | Gearbox motor FL ø200 2.2kW 230-265/400-460V 50-60Hz n=68-82 IE3 World |
| | 151250014 | | Gearbox FL shaft=35mm flange=200mm i=35 for motor NEMA N56C |
| | 151250015 | | Gearbox FL shaft=35mm flange=200mm i=45 for motor NEMA N56C |
| | 151000004 | | Gearbox motor FL ø200 0.18kW 230/400V 50Hz n=16 |
| | 151224024 | | Gearbox motor FL ø200 1.1kW 230-265/400-460V 50-60Hz n=30-36 IE3 World |
| | 151222064 | | Gearbox motor FL ø200 0.75kW 230-265/400-460V 50-60Hz n20-23 IE3 World |
| | 151250002 | | Gearbox FL shaft=35mm flange=200mm i=21.15 for motor IEC100B14 |
| | 151250006 | | Gearbox FL shaft=35mm flange=200mm i=44.18 for motor IEC80B14 |
| | 151250005 | | Gearbox FL shaft=35mm flange=200mm i=60.8 for motor IEC80B14 |
| | 151228001 | | Gearbox motor FL ø200 2.0-2.4kW 230/400V 50Hz n=33-65 |
| | 151224007 | | Gearbox motor FL ø200 0.75kW 3x200V 60Hz n=22 B5 IE2 |
| | 151222011 | | Gearbox motor FL ø200 0.75kW 3x200V 50Hz n=22 B5C |
| | 151212013 | | Gearbox motor FL ø200 0.75kW 230V 50Hz n=23 |
| | 151222031 | | Gearbox motor FL ø200 0.48/0.6kW 230/400V 50Hz n=11/22 B5 |
| | 151241000 | | Gearbox motor FL ø200 0.37kW 3x200V 50Hz n=11 B5C |
| | 151525000 | | Gearbox motor FL ø200 1.5/1.9kW 230/400V 50Hz n=31/62 B5c |

| No | Item no. | n | Description |
|----|-----------|---|---|
| 2 | 110700012 | 1 | Sticker warning moving components |
| 3 | 121093001 | 2 | Bolt M 6x16mm galvanized 8.8 |
| 4 | 121093017 | 4 | Bolt M10x30mm galvanized 8.8 |
| 5 | 121093031 | 1 | Bolt M12x35mm galvanized 8.8 |
| 6 | 121750000 | 1 | Taptite M 6x10mm hexagon with collar galvanized |
| 7 | 123093002 | 4 | Nut M10 galvanized |
| 8 | 123098007 | 2 | Nut self locking M 5 galvanized |
| 9 | 126008056 | 2 | Shearbolt M5 12.9 hardend (excl. self-loc nut M5) |
| 10 | 126900004 | 2 | Screw hexagon with collar self-drilling ø 6.3x19mm galvanized |
| 11 | 127012002 | 4 | Spring washer M10 galvanized |
| 12 | 127012003 | 1 | Spring washer M12 galvanized |
| 13 | 127070001 | 1 | Adjusting ring 35x56x16mm |
| 14 | 127679000 | 1 | Toothed spring washer M12 galvanized |
| 15 | 127802015 | 2 | Body ring M 6x30x2mm galvanized |
| 16 | 127900009 | 1 | Shim washer 45x55x0.3mm |
| 17 | 136044000 | 1 | Body ring M12x45x4mm galvanized |
| 18 | 260340116 | 1 | Shearpin coupling ø35mm |
| 19 | 260340118 | 1 | Plain bearing 35mm direct drive |
| 20 | 260340120 | 1 | Key parallel 10x8x24mm |
| 21 | 260340209 | 1 | Centre plate for chainfeeding drive units and hoppers |
| 22 | 260340230 | 1 | Guiding block long cast iron |
| 23 | 260340275 | 1 | Drive wheel direct drive with groove |
| 24 | 260350178 | 1 | Weld composition direct drive compact RAL5009 VDL blue |
| 25 | 260940042 | 2 | Label red for shear bolt |
| 26 | 260950009 | 1 | Sticker type with CE |
| 27 | 310940028 | 1 | Sticker direction |
| 28 | 260340349 | 1 | Protection cover for direkt drive plastic with VDL logo |

Lighter model (shaft Ø 25mm)

4



Z1003-00

Table 29

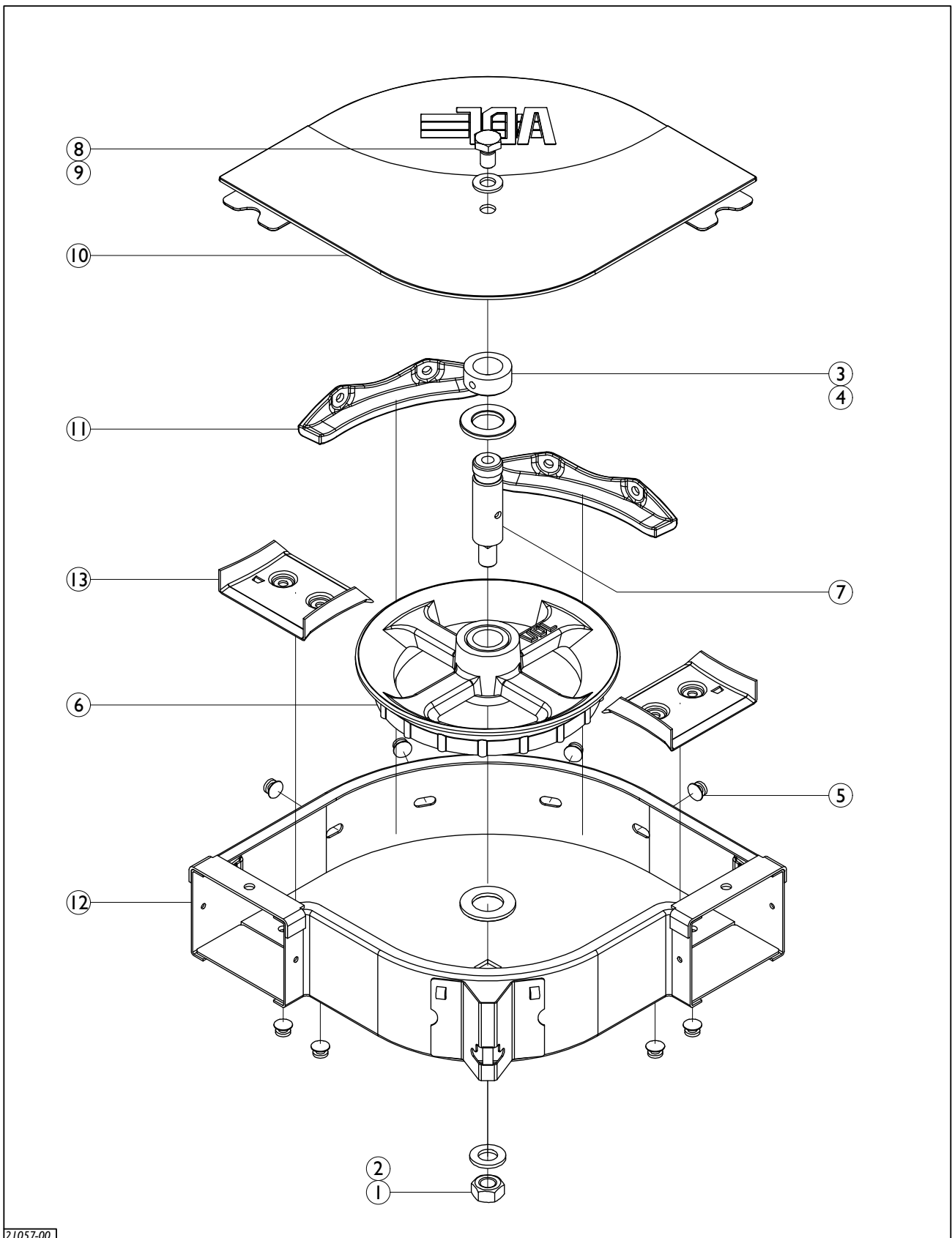
Table 29

| No | Item no. | n | Description |
|----|-----------|---|--|
| 1 | 151225014 | 1 | Gearbox motor FL ø200 1.5kW 230-265/400-460V 50-60Hz n=67-80 IE3 World |
| | 151222065 | | Gearbox motor FL ø200 0.75kW 230-265/400-460V 50-60Hz n34-41 IE3 World |
| | 151000001 | | Gearbox motor FL ø200 0.18kW 24VDC n=11 |
| | 151225009 | | Gearbox motor FL ø200 1.5kW 220/380V 60Hz n=62 B5 |
| | 151222066 | | Gearbox motor FL ø200 0.55kW 230-265/400-460V 50-60Hz n23-28 IE3 World |
| 2 | 110700012 | 1 | Sticker warning moving components |
| 3 | 121093001 | 2 | Bolt M 6x16mm galvanized 8.8 |
| 4 | 121093017 | 5 | Bolt M10x30mm galvanized 8.8 |
| 5 | 121750000 | 1 | Taptite M 6x10mm hexagon with collar galvanized |
| 6 | 123093002 | 4 | Nut M10 galvanized |
| 7 | 123098007 | 2 | Nut self locking M 5 galvanized |
| 8 | 126008056 | 2 | Shearbolt M5 12.9 hardend (excl. self-loc nut M5) |
| 9 | 126900004 | 2 | Screw hexagon with collar self-drilling ø 6.3x19mm galvanized |
| 10 | 127012002 | 5 | Spring washer M10 galvanized |
| 11 | 127012008 | 1 | Washer M10 galvanized |
| 12 | 127070003 | 1 | Adjusting ring 25x40x16mm |
| 13 | 127679004 | 1 | Toothed spring washer M10 galvanized |
| 14 | 127802015 | 2 | Body ring M 6x30x2mm galvanized |
| 15 | 127900009 | 1 | Shim washer 45x55x0.3mm |
| 16 | 131688016 | 1 | Key parallel 8x7x25mm |
| 17 | 136044000 | 1 | Body ring M12x45x4mm galvanized |
| 18 | 260340197 | 1 | Shearpin coupling ø25mm |
| 19 | 260340198 | 1 | Plain bearing 25mm direct drive |
| 20 | 260340209 | 1 | Centre plate for chainfeeding drive units and hoppers |
| 21 | 260340230 | 1 | Guiding block long cast iron |
| 22 | 260340275 | 1 | Drive wheel direct drive with groove |

| No | Item no. | n | Description |
|----|-----------|---|---|
| 23 | 260350178 | 1 | Weld composition direct drive compact RAL5009 VDL blue |
| 24 | 260940042 | 2 | Label red for shear bolt |
| 25 | 260950009 | 1 | Sticker type with CE |
| 26 | 310940028 | 1 | Sticker direction |
| 27 | 260340349 | 1 | Protection cover for direkt drive plastic with VDL logo |

4.6.11 90° ELBOW PIECE

4



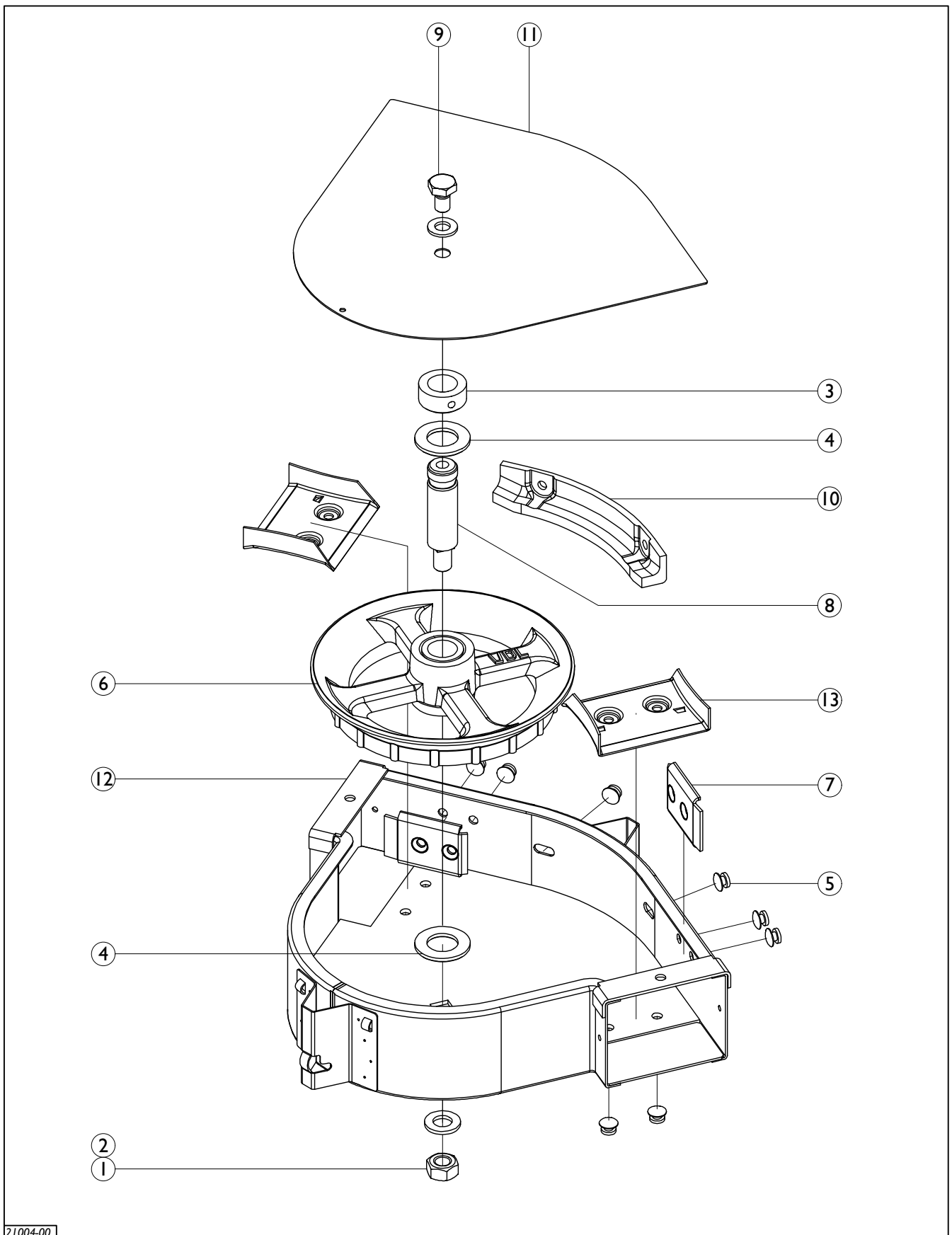
21057-00

Table 30

| No | Item no. | n | Description |
|----|-----------|---|---|
| 1 | 123093003 | 1 | Nut M12 galvanized |
| 2 | 127012004 | 1 | Washer M12 galvanized |
| 3 | 127070000 | 1 | Adjusting ring 20x32x14mm |
| 4 | 132900002 | 2 | Body ring M20x37x3mm nylon |
| 5 | 136900001 | 8 | Rivet E6 x 9 x 12/7/10 galvanized |
| 6 | 260340003 | 1 | Corner wheel with bearing |
| 7 | 260340065 | 1 | Shaft corner |
| 8 | 121093007 | 1 | Bolt M10x16mm galvanized 8.8 |
| 9 | 127012008 | 1 | Washer M10 galvanized |
| 10 | 260340288 | 1 | Cover for corner 90° with VDL-logo |
| 11 | 260340351 | 2 | Guiding rail corner 45° |
| 12 | 260340375 | 1 | Weld composition corner 90° RAL5009 blue |
| 13 | 460340115 | 2 | Guiding plate for chainfeeding system |

4.6.12 135° ELBOW PIECE

4

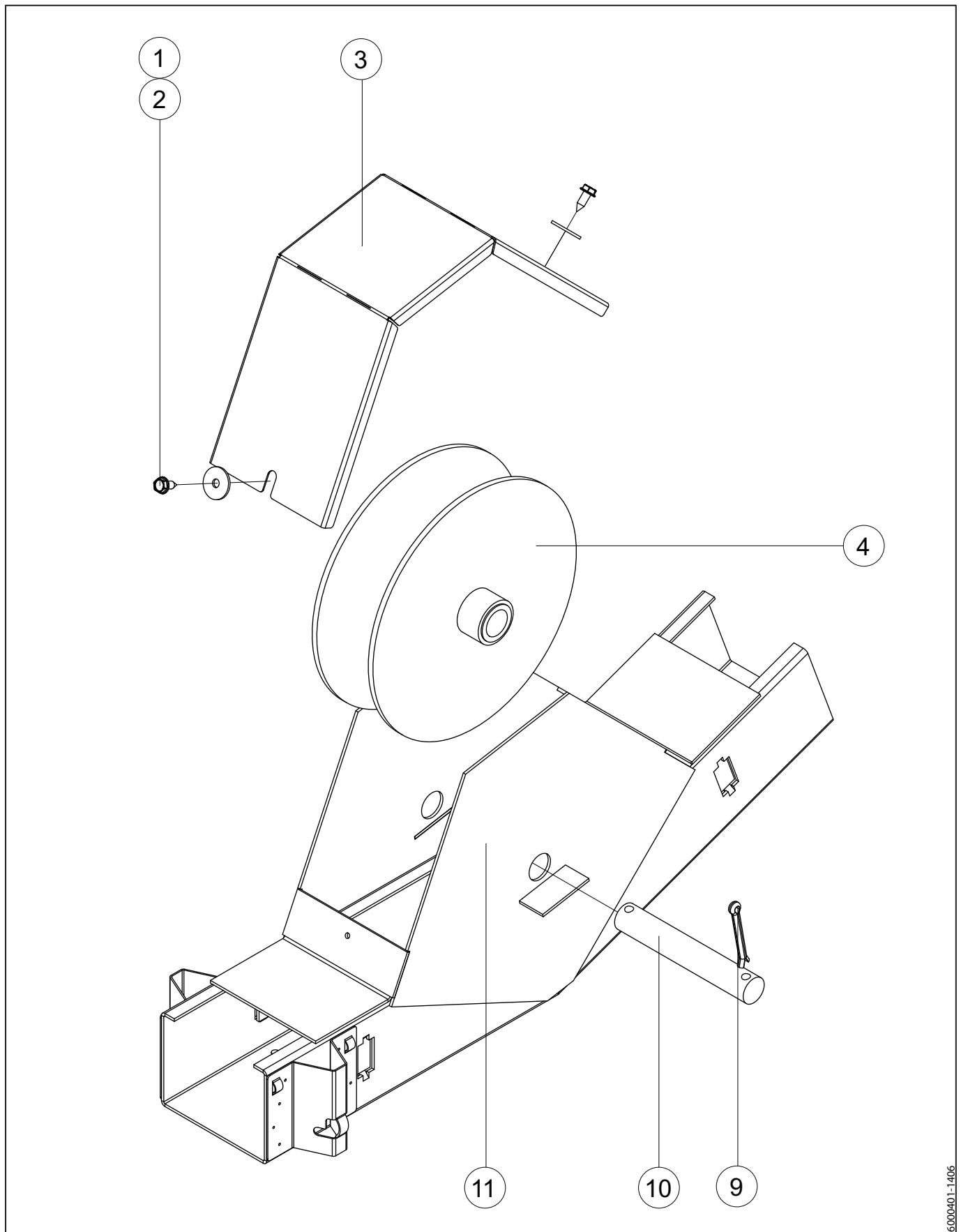


21004-00

Table 31

| No | Item no. | n | Description |
|----|-----------|----|---|
| 1 | 123093003 | 1 | Nut M12 galvanized |
| 2 | 127012004 | 1 | Washer M12 galvanized |
| 3 | 127070000 | 1 | Adjusting ring 20x32x14mm |
| 4 | 132900002 | 2 | Body ring M20x37x3mm nylon |
| 5 | 136900001 | 10 | Rivet E6 x 9 x 12/7/10 galvanized |
| 6 | 260340003 | 1 | Corner wheel with bearing |
| 7 | 260340035 | 2 | Trough closing plate |
| 8 | 260340065 | 1 | Shaft corner |
| 9 | 121093007 | 1 | Bolt M10x16mm galvanized 8.8 |
| 10 | 127012008 | 1 | Washer M10 galvanized |
| 11 | 260340175 | 1 | Guiding rail corner 135° |
| 12 | 260340314 | 1 | Cover for corner 135° galvanized, RAL5009 blue |
| 13 | 260350129 | 1 | Weld composition corner 135° |
| 14 | 460340115 | 2 | Guiding plate for chainfeeding system |

4.6.13 RISING ELBOW PIECE (20° AND 30°)



4

Chainovation

Rising elbow piece 20°

Table 32

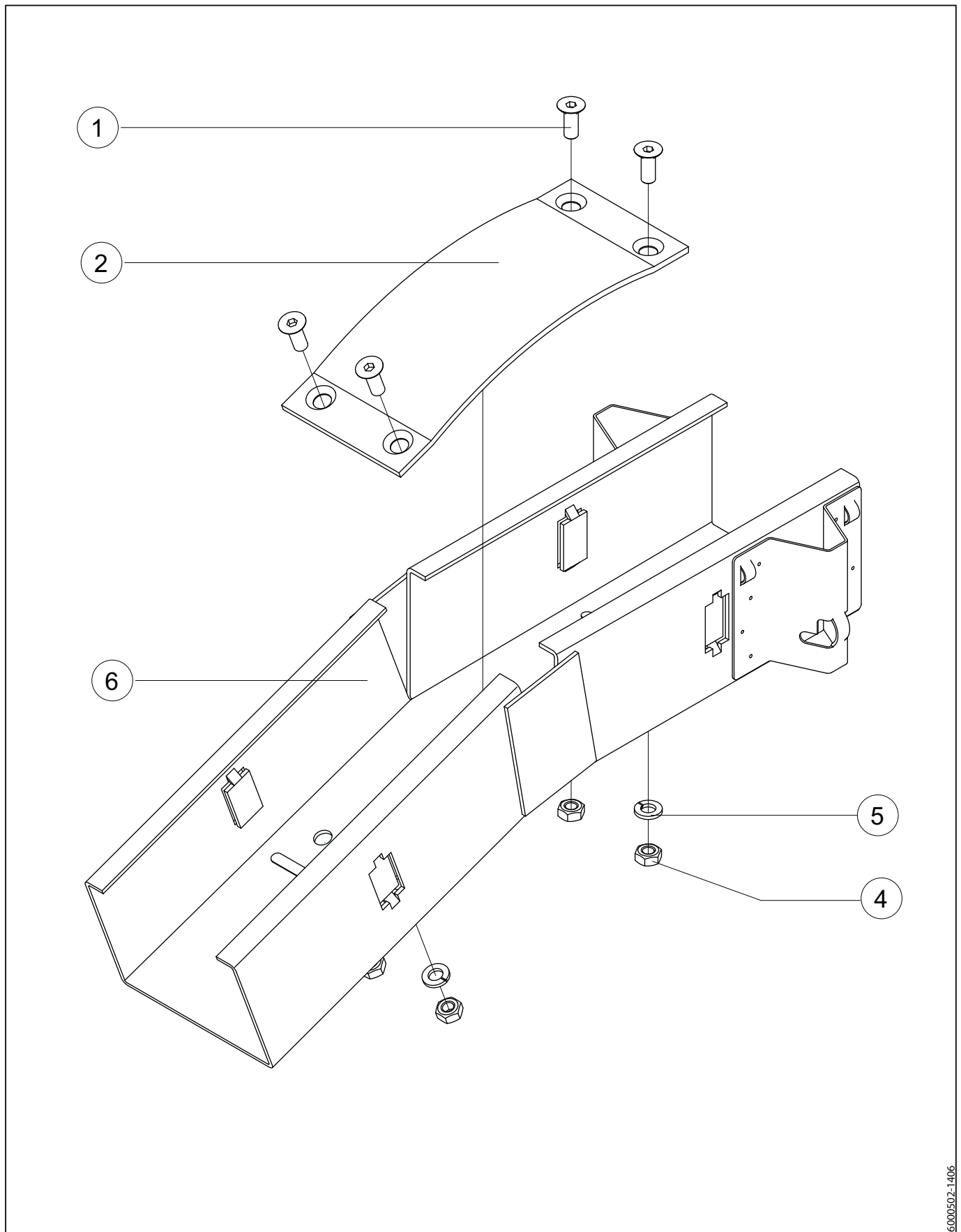
| No | Item no. | n | Description |
|----|-----------|---|---|
| 1 | 126900020 | 2 | Screw hexagon with collar self-drilling ø 4.8x13mm galvanized |
| 2 | 127802003 | 2 | Body ring M 5x20x1.25mm galvanized |
| 3 | 128009000 | 2 | Split pin 4.5x40mm |
| 4 | 260340061 | 1 | Wheel rising corner |
| 5 | 260340121 | 1 | Shaft for rising corner |
| 6 | 260340276 | 1 | Cover for rising corner 20°/30° |
| 7 | 260350107 | 1 | Weld composition rising corner 20° with wheel |

Rising elbow piece 30°

Table 33

| No | Item no. | n | Description |
|----|-----------|---|---|
| 1 | 126900020 | 2 | Screw hexagon with collar self-drilling ø 4.8x13mm galvanized |
| 2 | 127802003 | 2 | Body ring M 5x20x1.25mm galvanized |
| 3 | 128009000 | 2 | Split pin 4.5x40mm |
| 4 | 260340061 | 1 | Wheel rising corner |
| 5 | 260340121 | 1 | Shaft for rising corner |
| 6 | 260340276 | 1 | Cover for rising corner 20°/30° |
| 7 | 260350092 | 1 | Weld composition rising corner 30° with wheel |

4.6.14 FALLING ELBOW PIECES (20° AND 30°)



4

Chainovation

Falling elbow piece 20°

Table 34

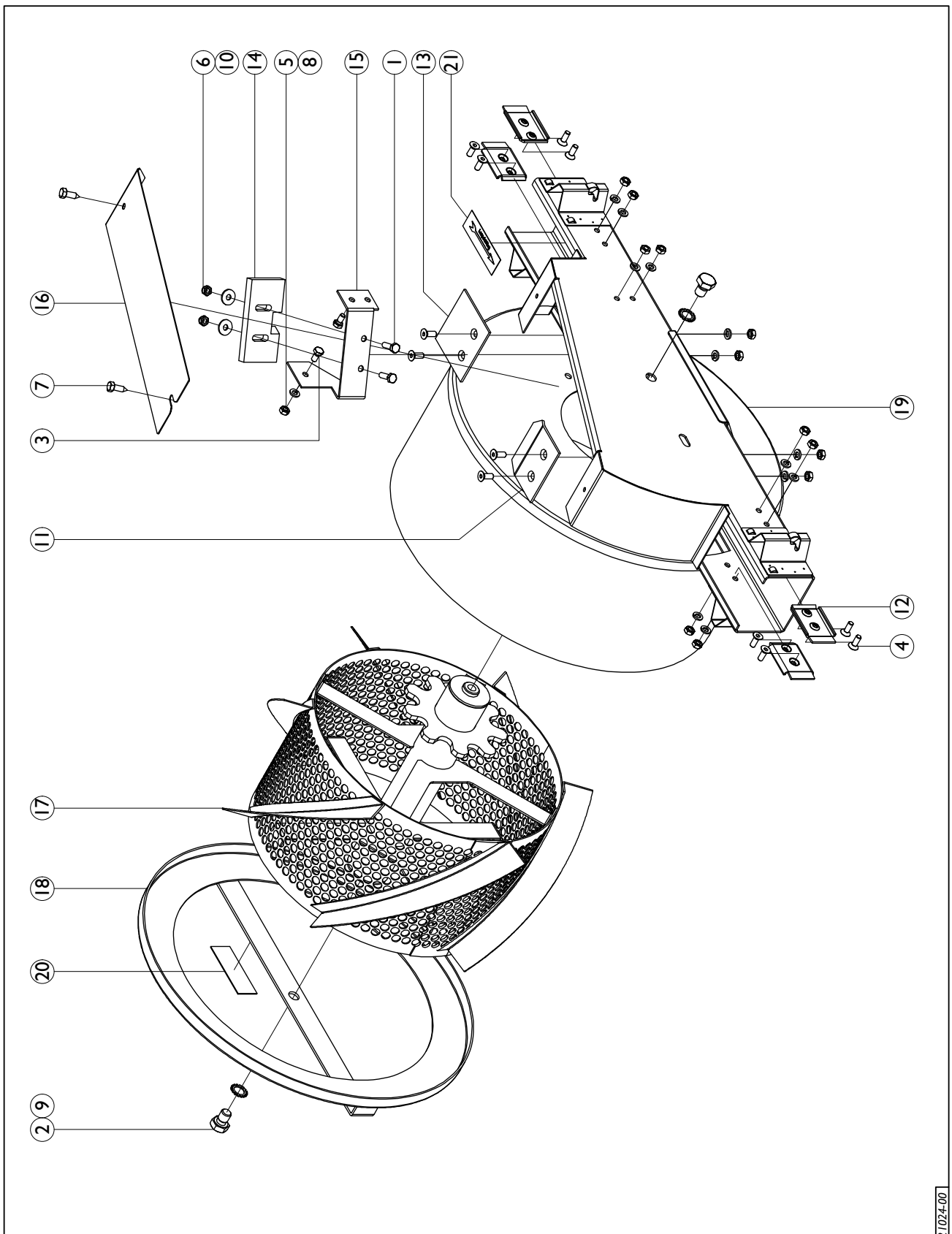
| No | Item no. | n | Description |
|----|-----------|---|---|
| 1 | 122900000 | 4 | Screw countersunk head inside hexagon M 6x16mm galvanized |
| 2 | 123093000 | 4 | Nut M 6 galvanized |
| 3 | 127012000 | 4 | Spring washer M 6 galvanized |
| 4 | 260340139 | 1 | Wear plate downcorner 20° |
| 5 | 260350105 | 1 | Weld composition descending corner 20° without wheel |

Falling elbow piece 30°

Table 35

| No | Item no. | n | Description |
|----|-----------|---|---|
| 1 | 122900000 | 4 | Screw countersunk head inside hexagon M 6x16mm galvanized |
| 2 | 123093000 | 4 | Nut M 6 galvanized |
| 3 | 127012000 | 4 | Spring washer M 6 galvanized |
| 4 | 260340060 | 1 | Wear plate descending corner 30° |
| 5 | 260350080 | 1 | Weld composition descending corner 30° without wheel |

4.6.15 FEED CLEANER SUITABLE FOR SPEED UP TO 12M/MIN



4

21024-00

Table 36

| No | Item no. | n | Description |
|----|-----------|----|---|
| 1 | 121093000 | 2 | Bolt M 6x20mm galvanized 8.8 |
| 2 | 121093010 | 2 | Bolt M12x16mm galvanized 8.8 |
| 3 | 121093011 | 3 | Bolt M 6x12mm galvanized 8.8 |
| 4 | 122900000 | 12 | Screw countersunk head inside hexagon M 6x16mm galvanized |
| 5 | 123093000 | 15 | Nut M 6 galvanized |
| 6 | 123098000 | 2 | Nut self locking M 6 galvanized |
| 7 | 126900004 | 2 | Screw hexagon with collar self-drilling ø 6.3x19mm galvanized |
| 8 | 127012000 | 15 | Spring washer M 6 galvanized |
| 9 | 127679000 | 2 | Toothed spring washer M12 galvanized |
| 10 | 127900000 | 2 | Body ring M 6x18x1.6mm galvanized |
| 11 | 260340006 | 1 | Wear plate curved for feedcleaner |
| 12 | 260340035 | 4 | Trough closing plate |
| 13 | 260340038 | 1 | Wear plate flat for feedcleaner |
| 14 | 260340077 | 1 | Scraper feedcleaner |
| 15 | 260340078 | 1 | Mounting plate scraper feedcleaner |
| 16 | 260340271 | 1 | Cover plate for feedcleaner universal |
| 17 | 260350030 | 1 | Weld composition rotor feed cleaner incl. bearing |
| 18 | 260350031 | 1 | Weld composition endcover feedcleaner |
| 19 | 260350163 | 1 | Weld composition feed cleaner universal |
| 20 | 260950001 | 1 | Name plate VDL 76x26.5mm galvanized |
| 21 | 310940028 | 1 | Sticker direction |

Table 37

| No | Item no. | n | Description |
|----|-----------|---|--|
| 30 | 260350090 | 1 | Weld composition rotor feed cleaner with delay |
| 31 | 260350163 | 1 | Weld composition feed cleaner universal |
| 32 | 260950001 | 1 | Name plate VDL 76x26.5mm galvanized |
| 33 | 310940028 | 1 | Sticker direction |

Table 37

| No | Item no. | n | Description |
|----|-----------|----|---|
| 1 | 121060002 | 1 | Slotted bolt and nut M 8x110mm galvanized |
| 2 | 121093000 | 2 | Bolt M 6x20mm galvanized 8.8 |
| 3 | 121093010 | 2 | Bolt M12x16mm galvanized 8.8 |
| 4 | 121093011 | 3 | Bolt M 6x12mm galvanized 8.8 |
| 5 | 122091007 | 2 | Adjusting ring 16x28x12mm |
| 6 | 122900000 | 12 | Screw countersunk head inside hexagon M 6x16mm galvanized |
| 7 | 123093000 | 15 | Nut M 6 galvanized |
| 8 | 123093001 | 1 | Nut M 8 galvanized |
| 9 | 123098000 | 2 | Nut self locking M 6 galvanized |
| 10 | 126900004 | 2 | Screw hexagon with collar self-drilling ø 6.3x19mm galvanized |
| 11 | 127012000 | 15 | Spring washer M 6 galvanized |
| 12 | 127012006 | 1 | Washer M 8 galvanized |
| 13 | 127679000 | 2 | Toothed spring washer M12 galvanized |
| 14 | 127679002 | 1 | Toothed spring washer M 8 galvanized |
| 15 | 127679004 | 1 | Toothed spring washer M10 galvanized |
| 16 | 127802001 | 1 | Body ring M10x25x1.5mm galvanized |
| 17 | 127900000 | 2 | Body ring M 6x18x1.6mm galvanized |
| 18 | 152000001 | 1 | Chain 3/8"x7/32" L=44 rolls |
| 19 | 152000002 | 1 | Chainlink 3/8" Simplex |
| 20 | 153300003 | 2 | Plain bearing 16/20x15.5mm nylon |
| 21 | 260340006 | 1 | Wear plate curved for feedcleaner |
| 22 | 260340035 | 4 | Trough closing plate |
| 23 | 260340038 | 1 | Wear plate flat for feedcleaner |
| 24 | 260340077 | 1 | Scraper feedcleaner |
| 25 | 260340078 | 1 | Mounting plate scraper feedcleaner |
| 26 | 260340098 | 1 | Weld composition drive wheel feed cleaner with reduction |
| 27 | 260340271 | 1 | Cover plate for feedcleaner universal |
| 28 | 260350004 | 1 | Shaft for feed cleaner |
| 29 | 260350031 | 1 | Weld composition endcover feed-cleaner |