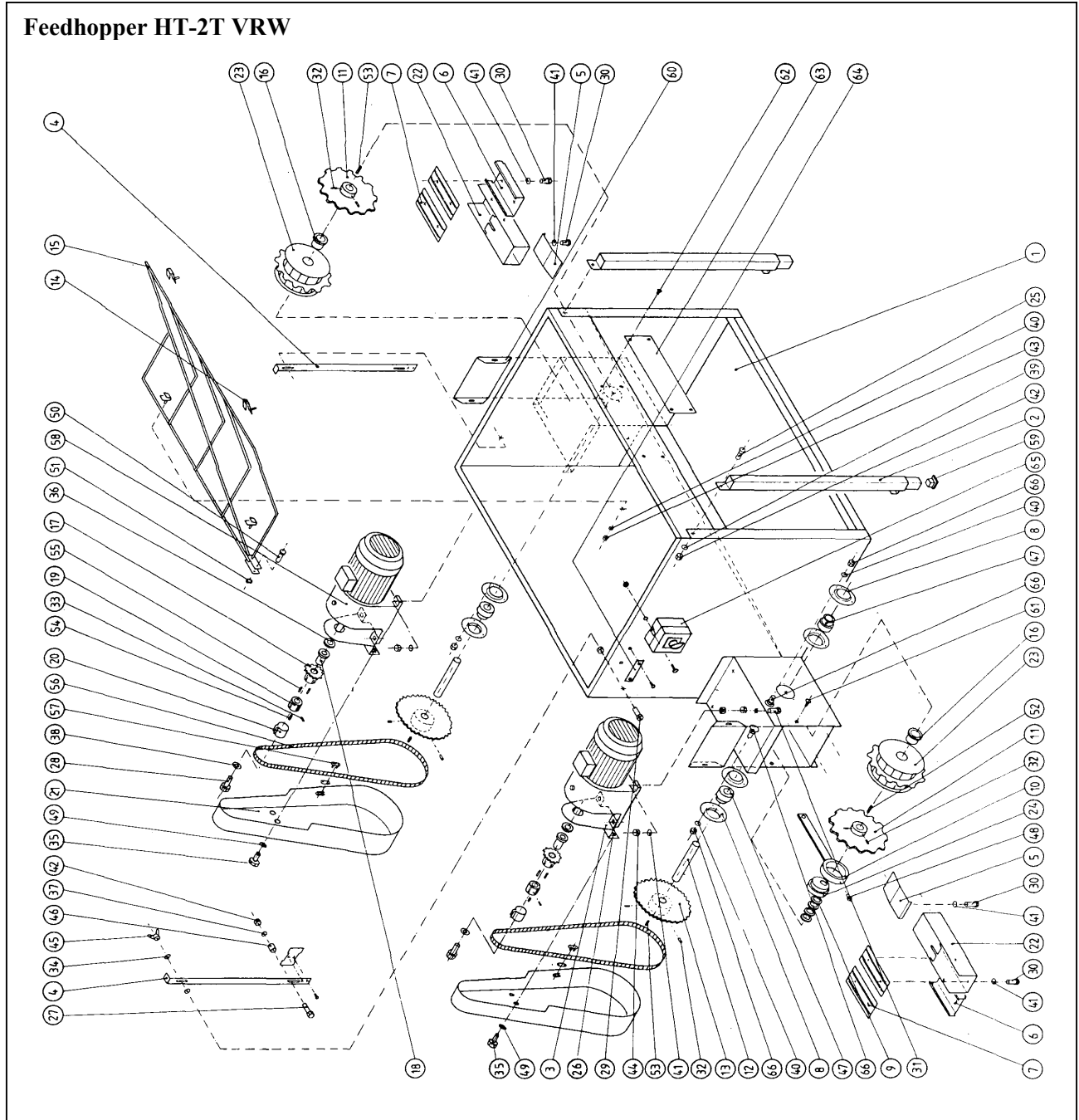


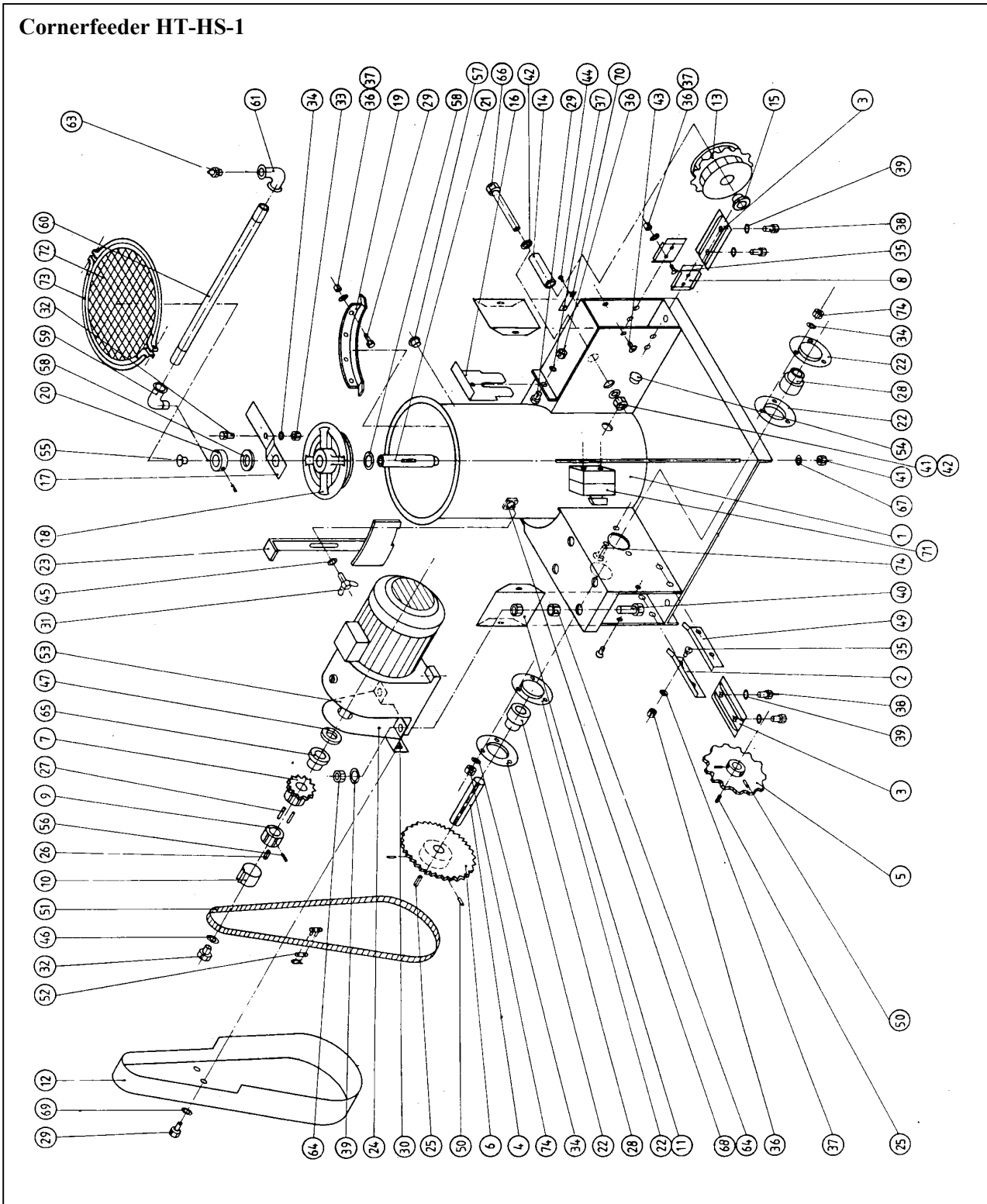
I Exploded views



Tek.nr:		Partlist exploded view HT-2T VRW	
Y6006		262220000	
nr	art.nr	n	eng
1	262150000	1	House HT-2T VRW
2	260340009	4	Support, cpl.
3	260340088	2	Back plate protecting cover
4	260340010	2	Slide, cpl.
5	260340012	2	Rising plate
6	260340013	2	Guide block
7	260340014	4	Centre plate
8	260340062	8	Flange for bearing B5
9	260340070	4	Spacer ring
10	260340129	1	Eccentric arm with grease nipple
11	260340051	2	Drive wheel feedingchain
12	260340025	2	Shaft HT-2 / HT-2T
13	260340043	2	Chainwheel 5/8", Z = 38
14	260340019	4	Guide bracket shaking grate
15	260340021	1	Shaking grate HT-2 / HT-2T
16	153300004	4	Bearing nylon 25/30 X 27 KRG 2
17	260340063	2	Chainwheel 5/8", Z = 13
18	260340045	2	Akulon bush 7/8"
19	260340016	2	Security ring 4 grooves
20	260340044	2	Clamping bush
21	260340018	2	Protecting cover
22	260340028	2	Feed return trough feed return wheel
23	260340005	2	Feed return wheel, cpl.
24	260340073	1	Eccentric sheave
25	122799000	4	Socket head screw M6 x 20
26	134900001	4	Nut 1,8/2,6 MM M6
27	121093000	2	Tap bolt M6 x 20
28	121093005	2	Tap bolt M8 x 16
29	121093026	2	Tap bolt M8 x 30
30	121093003	10	Tap bolt M10 x 12
31	121093004	8	Tap bolt M10 x 60
32	122091000	8	Set screw M10 x 10
33	122091001	2	Set screw M6 x 12
34	127012006	4	Washer M8
35	121093001	4	Tap bolt M6 x 16

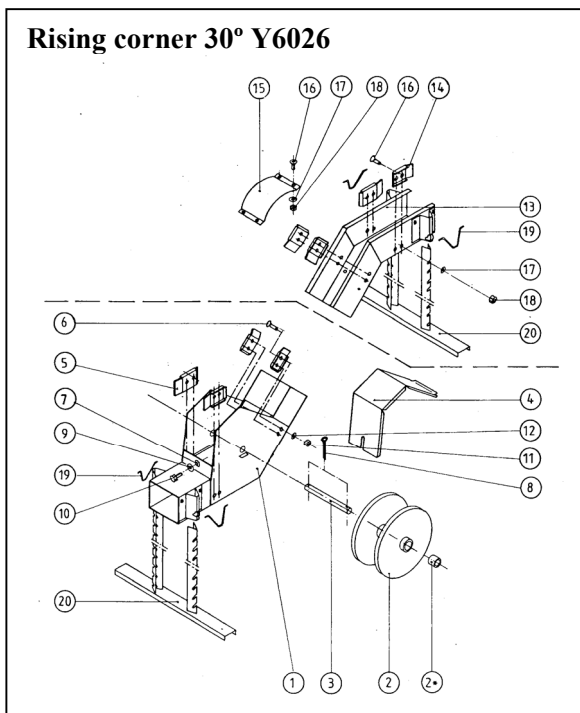
36	127012005	2	Washer M22
37	127900000	2	Washer M6
38	127900007	2	Washer VZ M 8 X 24 X 3
39	127012000	4	Spring washer M6
40	127012001	16	Spring washer M8
41	127012008	18	Washer M10
42	123093000	6	Nut M6
43	123093001	6	Nut M8
44	123093002	24	Nut M10
45	123031000	2	Wing nut M8
46	128900000	2	Spacer $\varnothing$ 10/6.5 x 10
47	153000000	4	Bearing SB 205 2RS
48	134900000	1	Grease nipple 1/8" 180°
49	127012007	4	Washer M6
50	128900001	1	Shaft
51	134047000	1	Clip 12 SX 09
52	131688000	1	Parallel key 8 x 7 x 70 mm.
53	131688001	3	Parallel key 8 x 7 x 40 mm.
54	131688002	2	Parallel key 6 x 6 x 20 mm.
55	132900001	4	Security pin
56	152000004	2	Chain 5/8", 60 rolls
57	152000000	2	Closing link 5/8"
58	0*	2	Motor*
59	132900000	4	Plug PE 30x30
60	260340085	2	Safety plate HT-K2
61	126900000	4	Plate screw $\varnothing$ 4,2 x 9,5
62	126900001	6	Drive screw NR.4 2.9 X 6.5
63	260950000	1	Name plate aluminium HT. 295 x 95
64	260950002	1	Type plate 100 x 30
**	260950003	1	Type plate 100 x 30 CE
65	141020001	1	On/off-switch
66	121060000	12	Slotted bolt M8 x 20 (incl. Nut)
67			
68	*		By order
69	**		Only CE machines

Cornerfeeder HT-HS-1

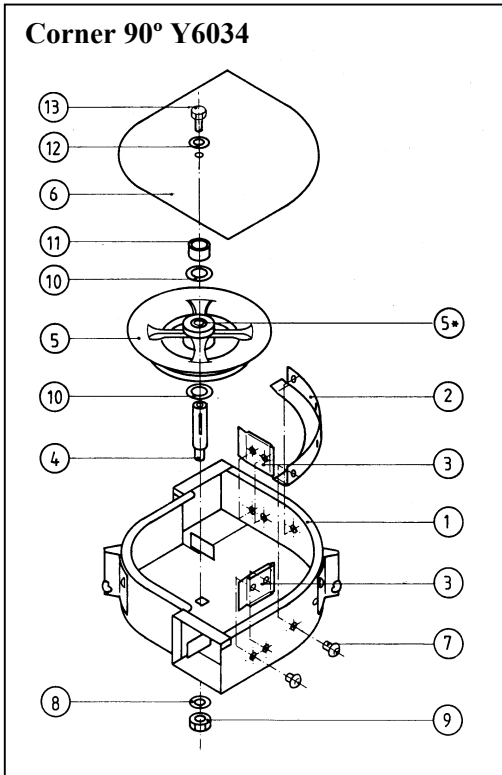


Tek.nr:		Partlist exploded view HT-1-HS L (+R.)	
Y6022		261320000	
nr	art.nr	n	eng
1	261350000	1	Housing HT-1-HS-L
	261450000	1	Housing HT-1-HS-R
2	260340030	1	Chain conductor, left
3	260340014	2	Centre plate
4	260340024	1	Shaft HT-1
5	260340051	1	Drive wheel feedingchain
6	260340043	1	Chainwheel 5/8", Z = 38
7	260340063	1	Chainwheel 5/8", Z = 13
8	260340035	2	Trough closing plate
9	260340016	1	Security ring 4 grooves
10	260340044	1	Clamping bush
11	260340084	2	Safety plate HT-K1
12	260340018	1	Protecting cover
13	260340005	1	Feed return wheel, cpl.
14	260340089	1	Shaft feed return wheel HT-1HS
15	260340080	2	Nylon bearing 25/30 X 27 KRG 4
16	260340032	1	Scraper feed return wheel
17	260340033	1	Feeddistributer cornerfeedmachine
18	260340003	1	Corner wheel with bearing
19	260340008	1	Guiding corner rail 90°
20	260340064	1	Set washer RD 20MM
21	260340000	1	Corner wheel shaft HT-1HS
22	260340062	4	Flange for bearing B5
23	260340034	1	Slide HT-1HS.L
	260340055	1	Slide, cpl., HT-1HS.R
24	260340088	1	Back plate protecting cover
25	131688001	2	Parallel key 8 x 7 x 40 mm.
26	131688002	1	Parallel key 6 x 6 x 20 mm.
27	132900001	2	Security pin
28	153000000	2	Bearing SB 205 2RS
29	121093001	7	Tap bolt M6 x 16
30	134900001	2	Nut 1,8/2,6 MM M6
31	124031000	1	Wing bolt M8 x 20
32	121093005	2	Tap bolt M8 x 16
33	123093001	1	Nut M8
34	127012001	7	Spring washer M8
35	122900000	8	Socket head screw M6 x 16
36	123093000	13	Nut M6
37	127012000	13	Spring washer M6
38	121093003	4	Tap bolt M10 x 12

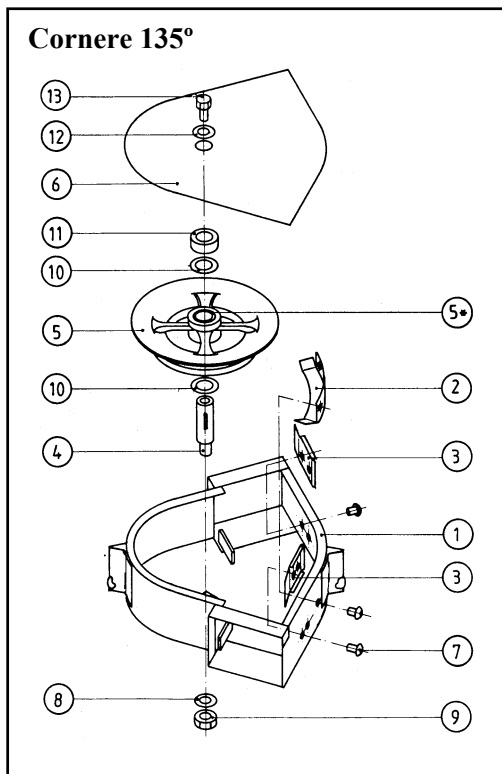
39	127012008	8	Washer M10
40	121093004	4	Tap bolt M10 x 60
41	123093003	2	Nut M12
42	127012004	2	Washer M12
43	126900000	4	Plate screw ø 4,2 x 9,5
44	126900001	2	Drive screw NR.4 2.9 X 6.5
45	127012006	1	Washer M8
46	127900007	1	Washer VZ M 8 X 24 X 3
47	127012005	1	Washer M22
49	260340031	1	Chain conductor, right
50	122091000	4	Set screw M10 x 10
51	152000004	1	Chain 5/8", 60 rolls
52	152000000	1	Closing link 5/8"
53	0*	1	Motor*
54	132900004	1	Plug Nylon ø 10.7
55	132900003	1	Plug Nylon ø 9,4
56	122091001	1	Set screw M6 x 12
57	132900005	1	Plug Nylon ø 13.2
58	132900002	2	Washer nylon M20
59	134900017	1	Elbow (inside/outside 1/8", 90°)
60	134900016	1	Pipe nipple 1/8", L=200 mm..
61	134900018	1	Knee (inside/inside 1/8", 90°)
63	134900000	1	Grease nipple 1/8" 180°
64	123093002	12	Nut M10
65	260340045	1	Akulon bush 7/8"
66	121093014	1	Tap bolt M12 x 110
67	127012003	1	Spring washer M12
68	123900006	1	Nut M8
69	127900000	2	Washer M6
70	260950002	1	Type plate 100 x 30
**	260950003	1	Type plate 100 x 30 CE
71**	141020001	1	On/off-switch
72	260340083	1	Safety grid HT-1HS
73	12302383	1	Lock pull ring diam. 300 mm., for connection of extension pipe.
74	121060000	6	Slotted bolt M8 x 20 (incl. Nut)
	*		By order
	**		Only CE machines
	***		Optional



Tek.nr:		Partlist exploded view HT rising corner 30°	
Y6026		260320009+260320010	
nr	art.nr	n	eng
1	260350092	1	House rising corner 30° with wheel
2	260340061	1	Wheel risingcorner
	153200007	2	Plain bearing SB 18/25 X 20
3	260340121	1	Shaft for risingcorner
4	260340075	1	Cover risingcorner
5	260340035	4	Trough closing plate
6	122900000	8	Socket head screw M6 x 16
7	123900002	1	Blind rivet nut M6
8	128009000	2	Split pin 4,5 x 40
9	127012007	1	Washer M6
10	121093001	1	Tap bolt M6 x 16
11	123093000	8	Nut M6
12	127012000	8	Spring washer M6
13	260350080	1	House descending corner 30° without wheel
14	260340035	4	Trough closing plate
15	260340060	1	Wearing plate risingcorner
16	122900000	12	Socket head screw M6 x 16
17	127012000	12	Spring washer M6
18	123093000	12	Nut M6
			Optional
19	260340066	4	Spring for support
20	260320004	2	Support for coupler/feedcleaner/chainadjuster/..
20	260320038	2	Support, galvanised
20	260320035	2	Support , stainless steel



Tek.nr:		Partlist exploded view HT corner 90°	
Y6034		260320006	
nr	art.nr	n	eng
1	260340096	1	House corner 90°
2	260340008	1	Guiding corner rail 90°
3	260340035	2	Trough closing plate
4	260340065	1	Shaft corner wheel
5	260340003	1	Corner wheel with bearing
6	260340036	1	Cover corner 90°
7	136900001	8	Rivet E6x9x12/7/10
8	127012004	1	Washer M12
9	123093003	1	Nut M12
10	132900002	2	Washer nylon M20
11	127070000	1	Set washer DIN 705 20x32x14
12	127012008	1	Washer M10
13	121093007	1	Tap bolt M10 x 16
5*	153200000	1	Plain bearing sint.brons 20/28 x 40



Tek.nr:		Partlist exploded view HT corner 135°	
Y6034		260320008	
nr	art.nr	n	eng
1	260350068	1	House corner 135°
2	260340067	1	Guiding corner rail 135°
3	260340035	2	Trough closing plate
4	260340065	1	Shaft corner wheel
5	260340003	1	Corner wheel with bearing
6	260340058	1	Cover corner 135°
7	136900001	6	Rivet E6x9x12/7/10
8	127012004	1	Washer M12
9	123093003	1	Nut M12
10	132900002	2	Washer nylon M20
11	127070000	1	Set washer DIN 705 20x32x14
12	127012008	1	Washer M10
13	121093007	1	Tap bolt M10 x 16
5*	153200000	1	Plain bearing sint.brons 20/28 x 40